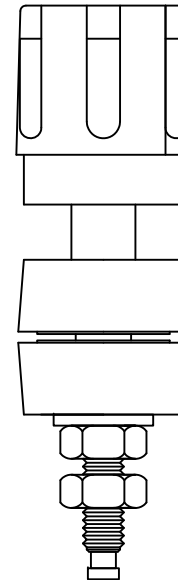
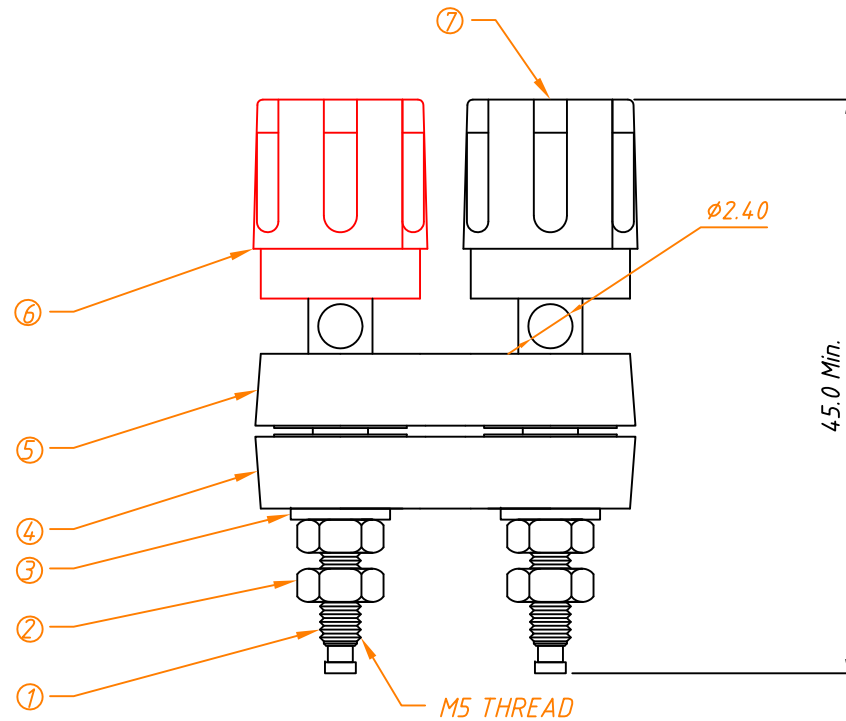
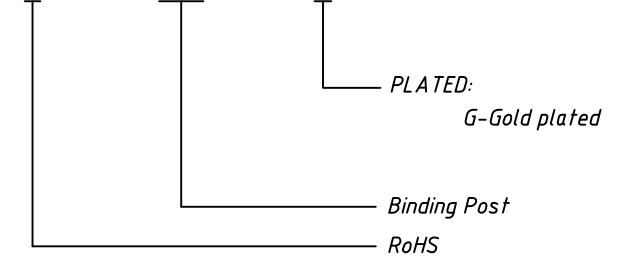


PANEL MOUNT



Order Information

L-KLS1- BIP - 040-G-B/R



7	Block Shot	PBT+Brass,Black	PCS	1
6	Block Shot	PBT+Brass,RED	PCS	1
5	Bush-UP	PBT,Black	PCS	1
4	Bush-DOWN	PBT,Black	PCS	1
3	Washer	11.0x5.0x1.0mm,Steel,Gold plated	PCS	4
2	NUT	Nut,M5,Gold plated	PCS	4
1	Screw Body	Brass,Gold plated	PCS	2
ITEM	PART NAME	Description	UNIT	Q'TY

		Description:	
		Binding Post Terminal	
PROJECTION		KLS P/N:	KLS1-BIP-040-G-B/R
UNITS	mm		
SHEET SIZE	A4		
Draw:Daniel	2019-07-18		NingBo KLS ELECTRONIC CO.,L TD.
Check:Daniel	2019-07-18		