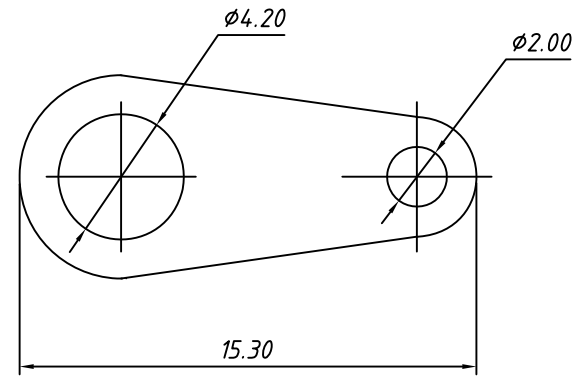
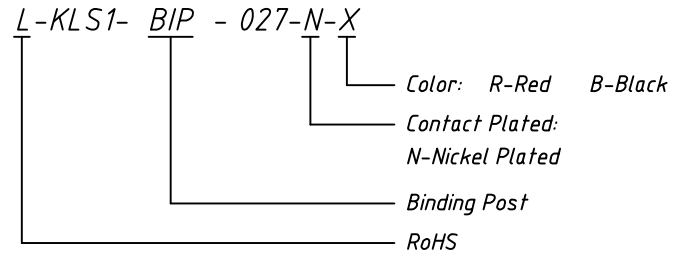


PANEL MOUNT



Solder Terminal

Order Information



7	Block Shot	PBT+Steel	PCS	1
6	Bush 1	PBT	PCS	1
5	Bush 2	PBT	PCS	1
4	Washer	9.0x4.4x0.6mm,Steel,Zn plated	PCS	1
3	Solder Terminal	15.3x6.5x0.2mm,steel,Tin plated	PCS	1
2	NUT	Nut,M4,Nickel plated	PCS	2
1	Screw Body	Zn,Nickel plated	PCS	1
ITEM	PART NAME	Description	UNIT	Q'TY

		Description:	
		Binding Post Terminal	
PROJECTION		KLS P/N:	KLS1-BIP-027-N-X
UNITS	mm		
SHEET SIZE	A4		
Draw:Daniel	2019-07-18	NingBo KLS ELECTRONIC CO.,L TD.	
Check:Daniel	2019-07-18		