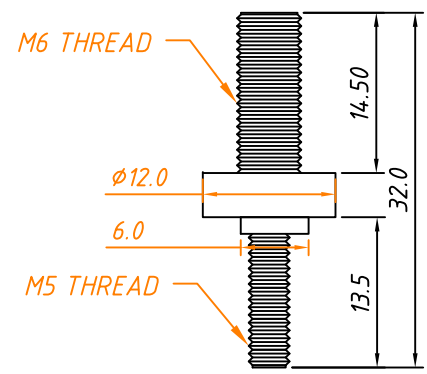
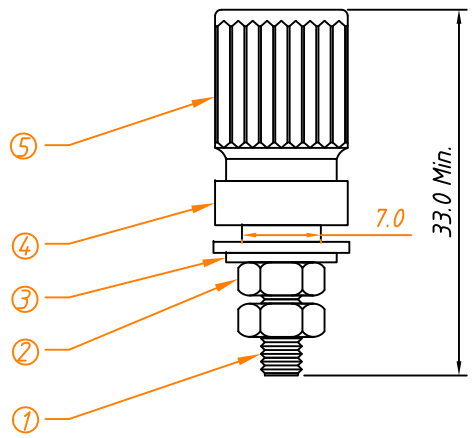


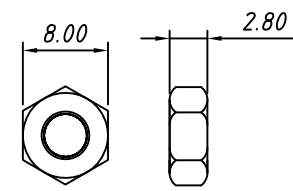
Accessories-5

PANEL MOUNT

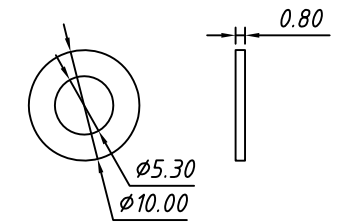
Accessories-4



Accessories-1



Accessories-2



Accessories-3

Order Information

L-KLS1- BIP - 010-N
 PLATED: N-Nickel plated
 Binding Post
 RoHS

5	Block Shot	Brass,Nickel plated	PCS	1
4	Washer	12.3x5.3x1.0mm,Brass,Nickel plated	PCS	1
3	Washer	10.0x5.3x0.8mm,Brass,Nickel plated	PCS	1
2	NUT	Nut,M5,Brass,Nickel plated	PCS	2
1	Screw Body	Brass,Nickel plated	PCS	1
ITEM	PART NAME	Description	UNIT	Q'TY

		Description:	
		Binding Post Terminal	
PROJECTION		KLS P/N:	KLS1-BIP-010-N
UNITS	mm	NingBo KLS ELECTRONIC CO.,L TD.	
SHEET SIZE	A4		
Draw:Daniel	2019-07-18		
Check:Daniel	2019-07-18		