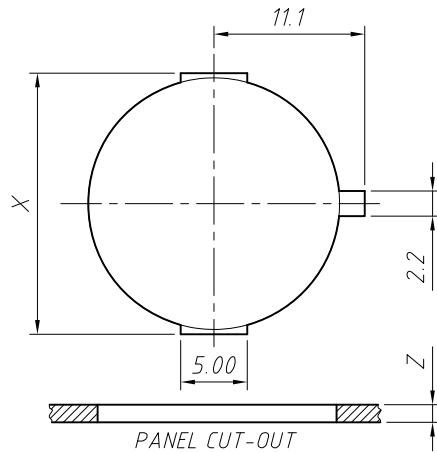


GENERAL TOLERANCE	PROJECTION		Description:
X. ±0.50	UNITS	mm	Rocker Switch Series
.X ±0.25	SCALE	1:1	
.XX ±0.10	Draw by:	Jenny	
ANGLE TOLERANCE	Check by:		KLS P/N: L- KLS7-028
X. ±5°	Date	2018-03-01	NingBo KLS ELECTRONIC CO.,L TD.
.X ±3°	SHEET	1 OF 1	
.XX ±2°			



PANEL CUT-OUT		
Z	X	Y
0.70~1.25	20.00~20.30	19.6~19.7
1.25~2.00	20.40~20.70	19.6~19.7
2.00~3.00	20.80~21.10	19.6~19.7

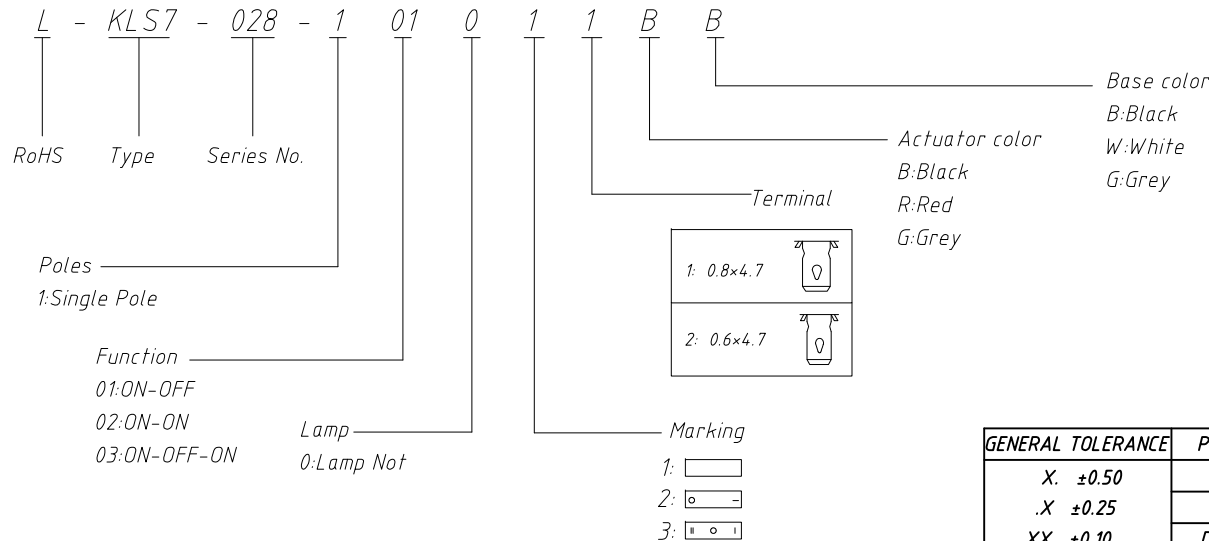
**MATERIAL**

- 1.Housing: Nylon 66
- 2.Rocker: PC & PA66
- 3.Contacts: Silver Alloy
- 4.Terminal: Brass Silver Plated
- 5.Lamp: Neon Lamp, Tungsten Lamp
- 6.Spring: SWP,SUS
- 7.Movable Arm: Brass Silver Plated

**ELECTRICAL**

- 1.Electrical Rating: 6(4)A 250VAC /10A 125VAC
- 2.Mechanical life:Over 30000 Cycles
- 3.Electrical life: Over 10000 Cycles
- 4.Contact Resistance: $\leq 50m\Omega$
- 5.Insulation Resistance:  $\geq 100M\Omega$
- 6.High Voltage Resistance: $> 1500V$  1 min
- 7.Ambient Temperature: Terminal Side  $-20^{\circ}C \sim +85^{\circ}C$ ;  
Actuating Side  $-20^{\circ}C \sim +55^{\circ}C$
- 8.Storage Temperature:  $-30^{\circ}C \sim +80^{\circ}C$  Max
- 9.Atmospheric Humidity: Max 85%
- 10.Actuating force: 4~8N(depends on different switch function)
- 11.Flammability: UL94 V-2
- 12.Temperature rise at the terminal: Max  $30^{\circ}C$  (UL1054)
- 13.Solder ability of terminal: Max  $350^{\circ}C$  3S

**Order Information**



GENERAL TOLERANCE	PROJECTION		Description:
X: $\pm 0.50$	UNITS	mm	Rocker Switch Series KLS P/N: L- KLS7-028
.X: $\pm 0.25$	SCALE	1:1	
.XX: $\pm 0.10$	Draw by:	Jenny	
ANGLE TOLERANCE	Check by:		NingBo KLS ELECTRONIC CO.,L TD.
X: $\pm 5^{\circ}$	Date	2018-03-01	
.X: $\pm 3^{\circ}$ .XX: $\pm 2^{\circ}$	SHEET	1 OF 1	