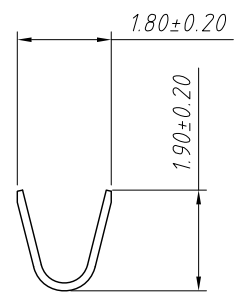
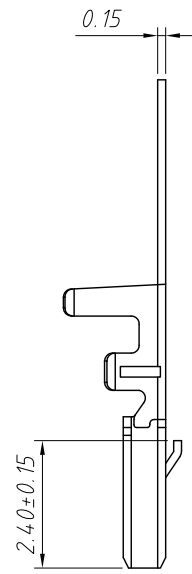
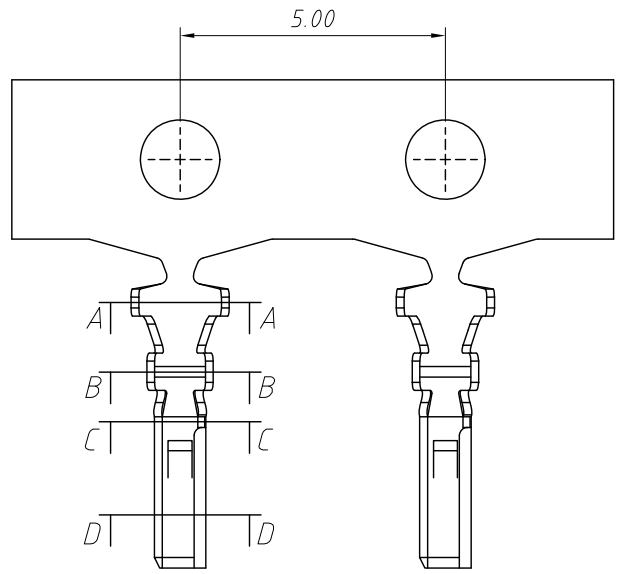
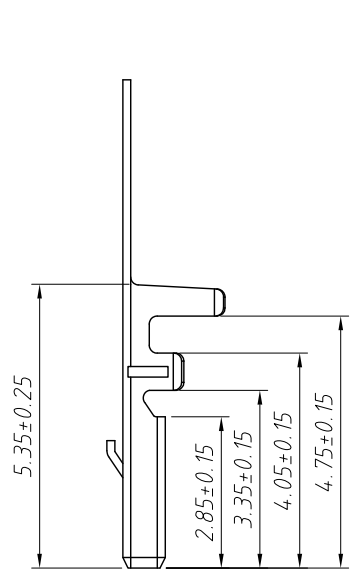
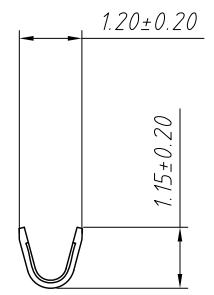


1 2 3 4 5 6 7 8

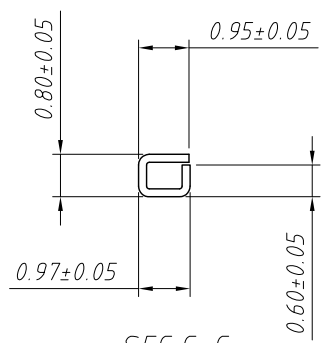
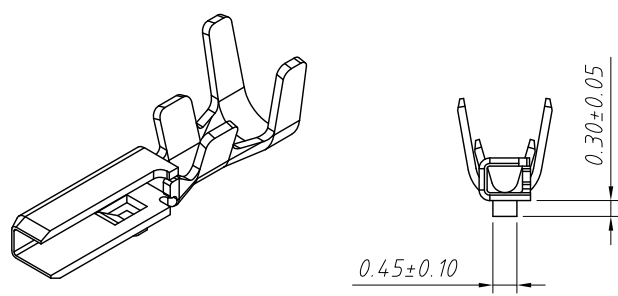
A B C D E F G H



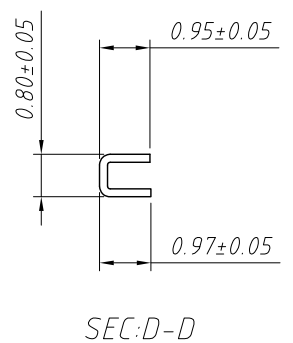
SEC:A-A



SEC:B-B



SEC:C-C

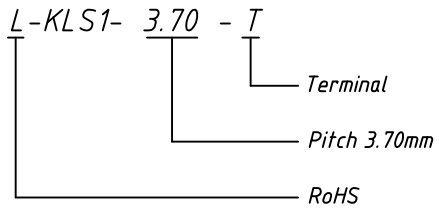


SEC:D-D

**Material:**  
Phosphoric Bronze Tin-plated

**Electrical:**  
Current Rating:2A AC DC  
Voltage Rating:500V AC DC  
Contact Resistance:40mΩ Max.  
Insulation Resistance:1000MΩ Min.  
Withstanding Voltage:1500V AC/minute  
Temperature Range:-40 °C ~ + 105° C  
Applicable Wire Sizes:AWG#26 ~ 28#

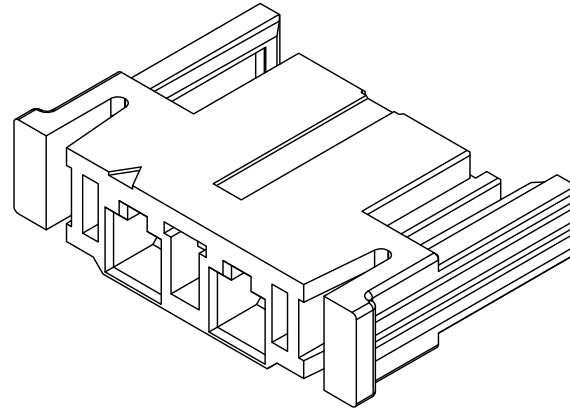
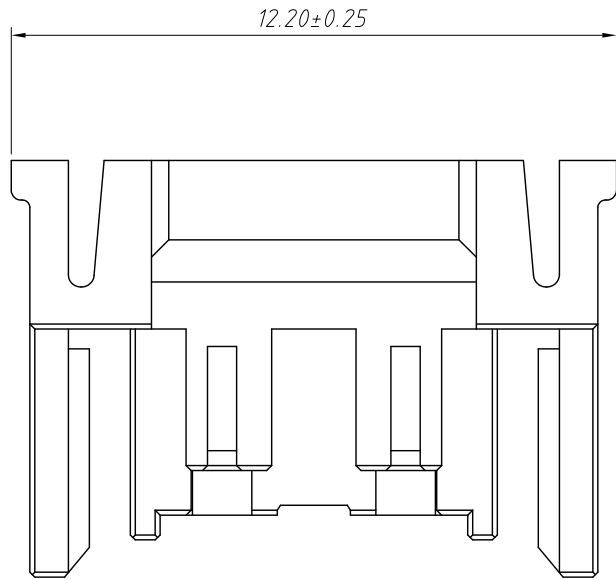
**Order Information**



GENERAL TOLERANCE	PROJECTION		Description:
X. ±0.50	UNITS	mm	3.70mm Phosphor Bronze Terminal
.X ±0.25	SCALE	1:1	
.XX ±0.10	Draw by:	Jenny	
ANGLE TOLERANCE	Check by:		KLS P/N: L-KLS1-3.70-T
X. ±5°	Date	2018-03-01	NingBo KLS ELECTRONIC CO.,L TD.
.X ±3°	SHEET	1 OF 1	
.XX ±2°			

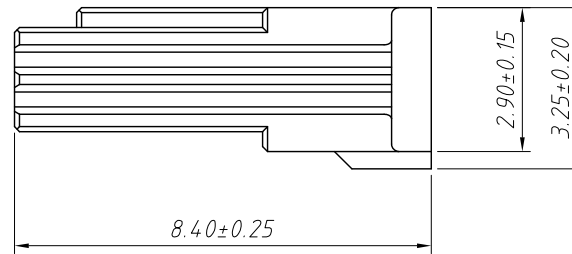
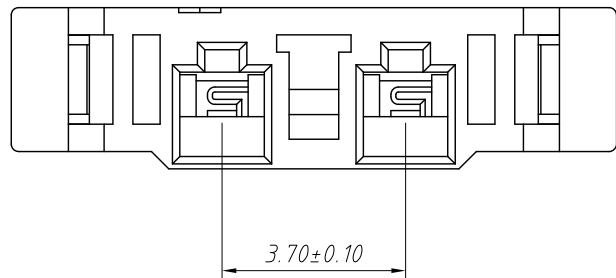
1 2 3 4 5 6 7 8

H

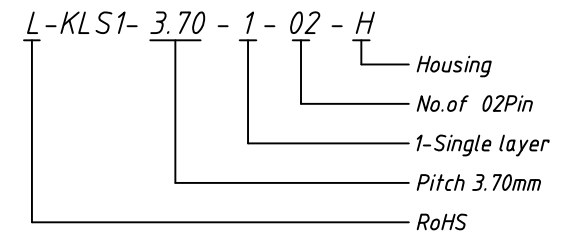


**Material:**  
Housing:PA66,UL94V-0

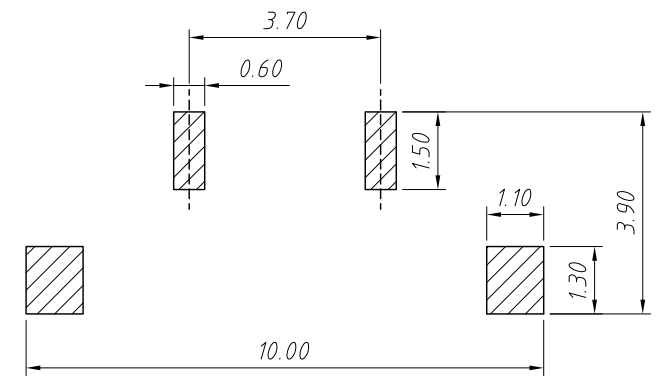
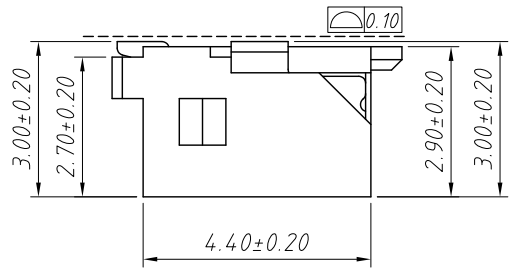
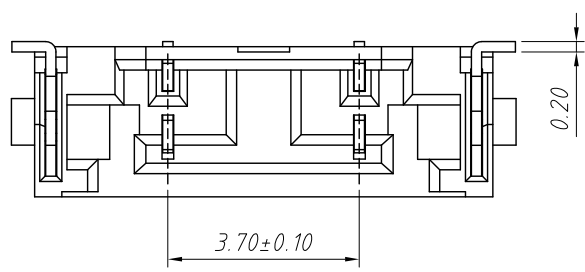
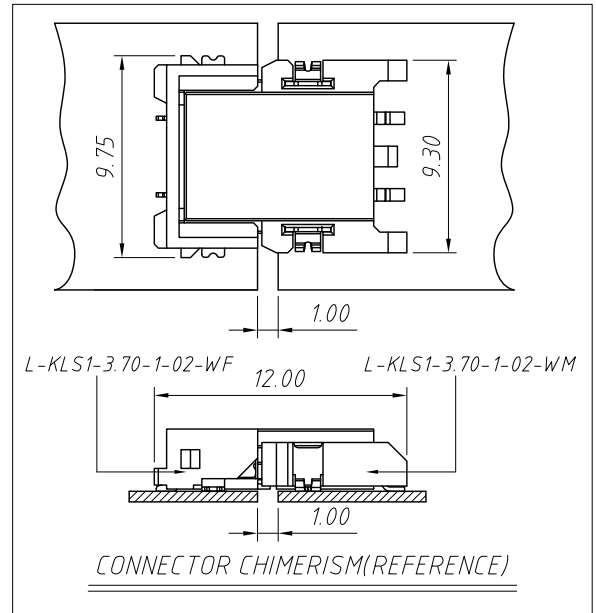
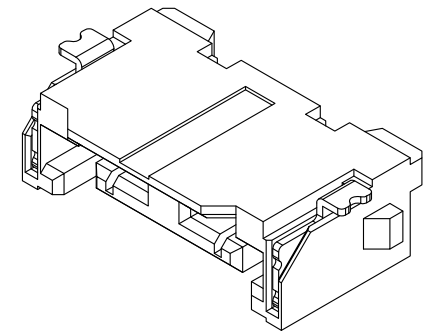
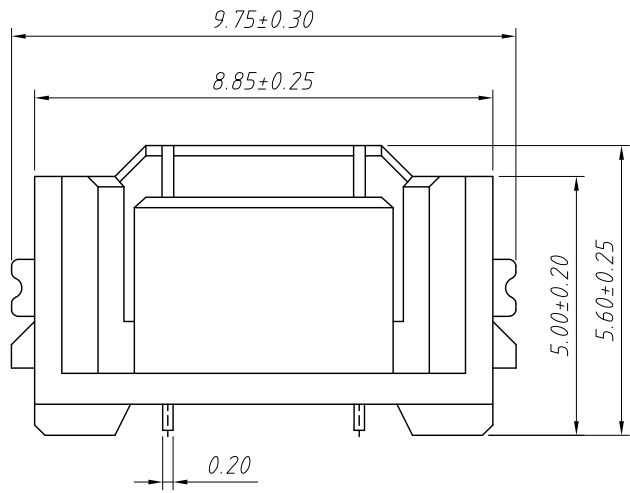
**Electrical:**  
Current Rating:2A AC DC  
Voltage Rating:500V AC DC  
Contact Resistance:40mΩ Max.  
Insulation Resistance:1000MΩ Min.  
Withstanding Voltage:1500V AC/minute  
Temperature Range:-40 °C ~ + 105° C



**Order Information**



GENERAL TOLERANCE	PROJECTION		Description:
X. ±0.50	UNITS	mm	Pitch 3.70mm Housing
.X ±0.25	SCALE	1:1	
.XX ±0.10	Draw by:	Jenny	KLS P/N: L-KLS1-3.70-1-02-H
ANGLE TOLERANCE	Check by:		NingBo KLS ELECTRONIC CO.,L TD.
X. ±5°	Date	2018-03-01	
.X ±3°	SHEET	1 OF 1	
.XX ±2°			



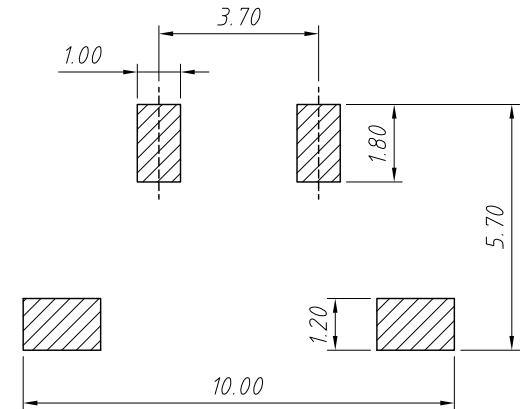
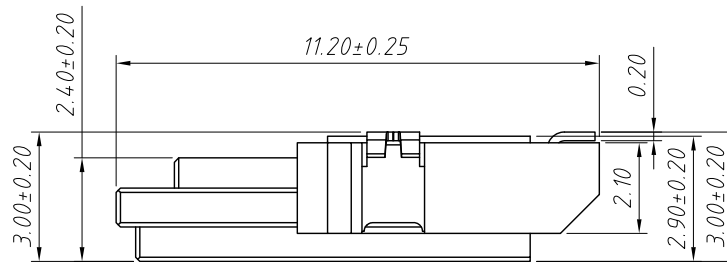
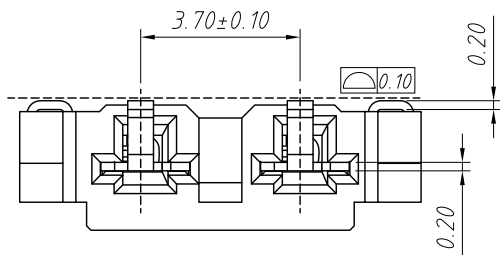
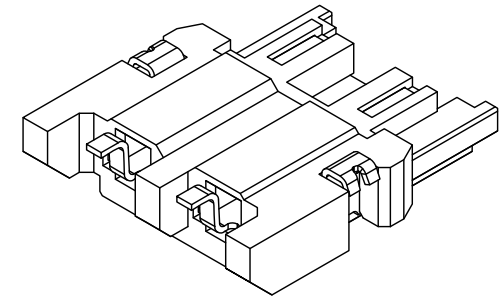
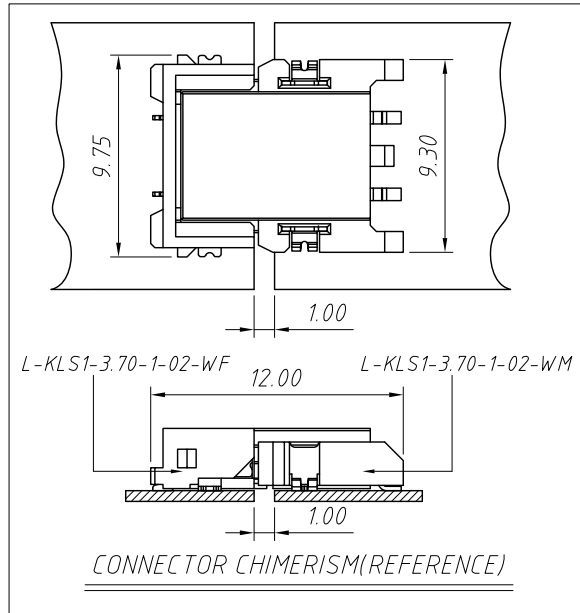
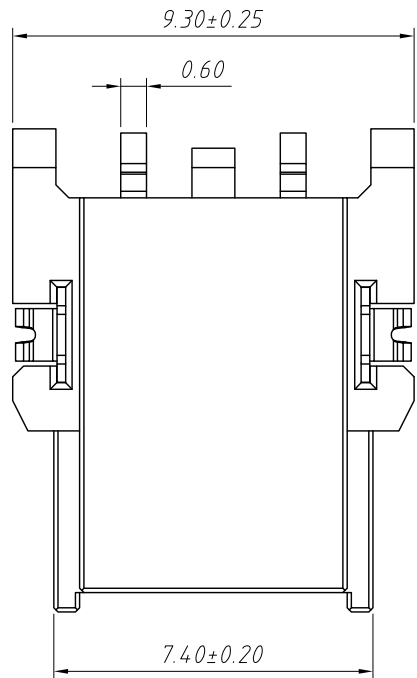
**Material:**  
 Wafer LCP,UL94V-0  
 Pin Phosphoric Bronze Tin-plated,  
 Solder tad Phosphoric Bronze Tin-plated.

**Electrical:**  
 Current Rating:2A AC DC  
 Voltage Rating:500V AC DC  
 Contact Resistance:40mΩ Max.  
 Insulation Resistance:1000MΩ Min.  
 Withstanding Voltage:1500V AC/minute  
 Temperature Range:-40 °C ~ + 105° C

**Order Information**  
 L-KLS1- 3.70 - 1 - 02 - WF

- SMT
- No.of 02Pin
- 1-Single layer
- Pitch 3.70mm
- RoHS

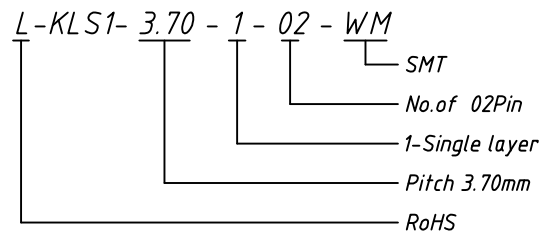
GENERAL TOLERANCE	PROJECTION		Description:
X. ±0.50	UNITS	mm	3.70mm Wafer SMT Type
.X ±0.25	SCALE	1:1	
.XX ±0.10	Draw by:	Jenny	
ANGLE TOLERANCE	Check by:		KLS P/N: L-KLS1-3.70-1-02-WF
X. ±5°	Date	2018-03-01	NingBo KLS ELECTRONIC CO.,L TD.
.X ±3°	SHEET	1 OF 1	
.XX ±2°			



**Material:**  
 Wafer LCP,UL94V-0  
 Pin Phosphoric Bronze Tin-plated,  
 Solder tad Phosphoric Bronze Tin-plated.

**Electrical:**  
 Current Rating:2A AC DC  
 Voltage Rating:500V AC DC  
 Contact Resistance:40mΩ Max.  
 Insulation Resistance:1000MΩ Min.  
 Withstanding Voltage:1500V AC/minute  
 Temperature Range:-40 °C ~ + 105 °C

**Order Information**



GENERAL TOLERANCE	PROJECTION		Description:
X. ±0.50	UNITS	mm	3.70mm Wafer SMT Type
.X ±0.25	SCALE	1:1	
.XX ±0.10	Draw by:	Jenny	KLS P/N: L-KLS1-3.70-1-02-WM
ANGLE TOLERANCE	Check by:		NingBo KLS ELECTRONIC CO.,L TD.
X. ±5°	Date	2018-03-01	
.X ±3°	SHEET	1 OF 1	
.XX ±2°			