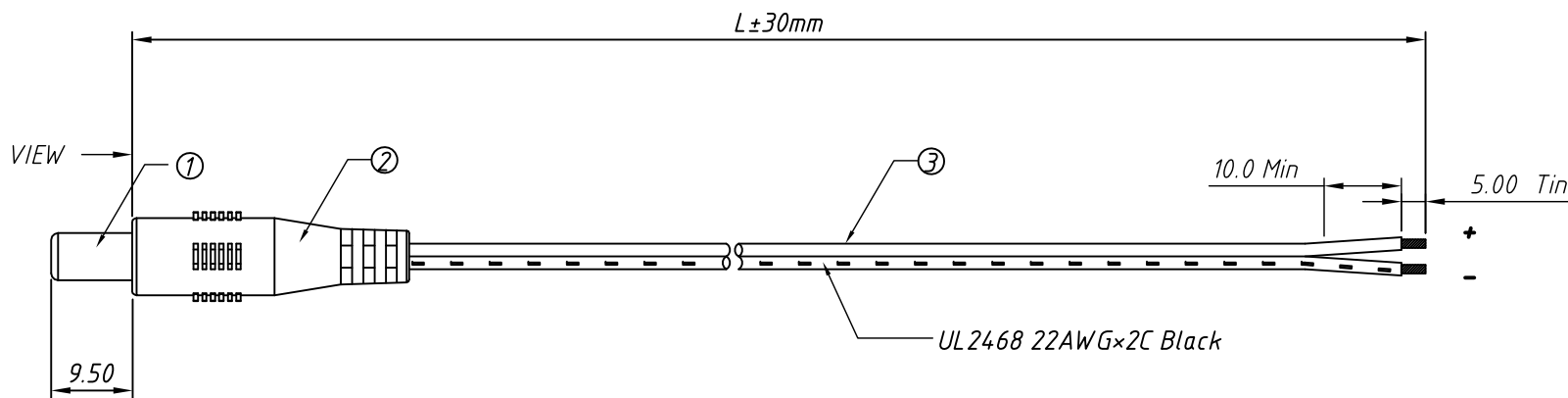
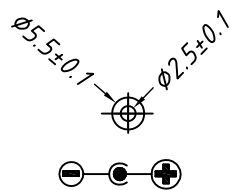


1  
RoHS Compliant



Front VIEW



Order Information

L-KLS17-ACY002- 22 B 1000

L: RoHS

ACY002: 5.5×2.5×9.5 DC Male-Tin

22: UL2468 22AWG×2C

B: Color: B- Black W- White

1000: Length 1000=1000mm

1500=1500mm

Note

1:Open/Short Text 100% Text.

2:Text Volts/insulation: DC 5V / 500KΩ

3: All must be meet on RoHS Compliant

|      |             |                          |      |      |
|------|-------------|--------------------------|------|------|
| 3    | Cable       | UL2468-22AWG×2C,Black    | mm   | L    |
| 2    | PVC molding | PVC,BLACK                | g    | xx   |
| 1    | Connector   | 5.5×2.5×9.5 DC Male PLUG | PCS  | 1    |
| ITEM | PART NAME   | Description              | UNIT | Q'TY |

|              |            |                                     |                                 |
|--------------|------------|-------------------------------------|---------------------------------|
|              |            | Description:                        |                                 |
|              |            | 5.5×2.5×9.5mm To Tin, DC Male Cable |                                 |
| PROJECTION   |            | KLS P/N:                            | L-KLS17-ACY002-22BXXXX          |
| UNITS        | mm         |                                     |                                 |
| SHEET SIZE   | A4         |                                     | NingBo KLS ELECTRONIC CO.,L TD. |
| Draw:Daniel  | 2018-05-10 |                                     |                                 |
| Check:Daniel | 2018-05-17 |                                     |                                 |