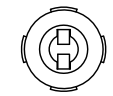
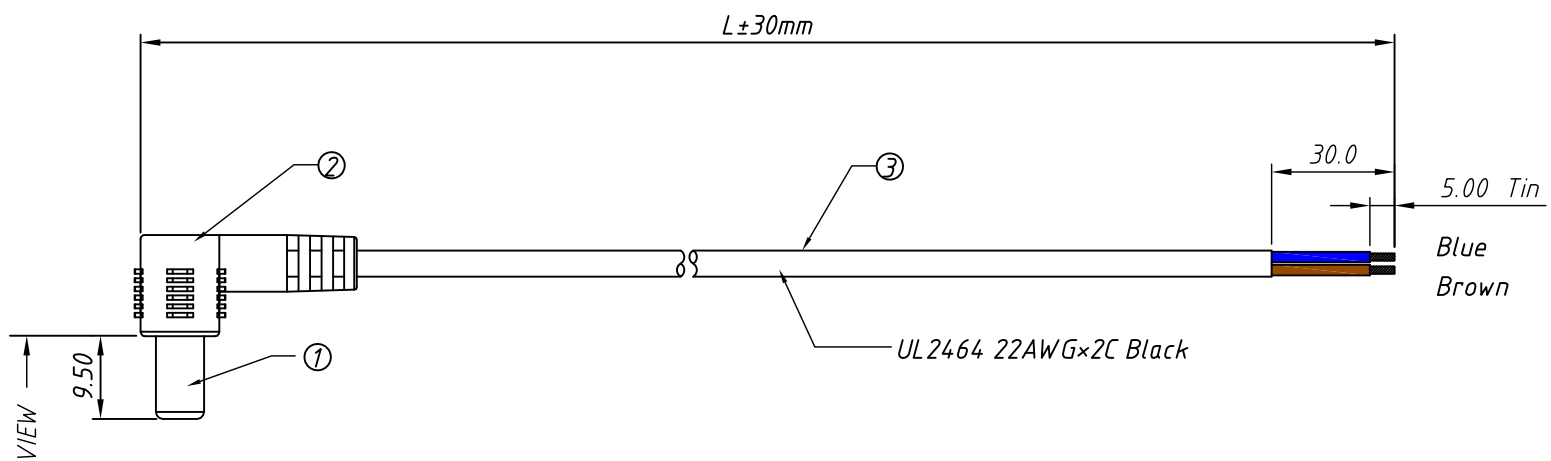
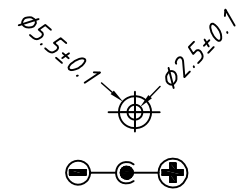


1 RoHS Compliant



Front VIEW



- Note
- 1:Open/Short Text 100% Text.
 - 2:Text Volts/insulation: DC 5V / 500KΩ
 - 3: All must be meet on RoHS Compliant

Order Information

L-KLS17-ARY004- 22 B 1000

L: RoHS
 ARY004: 5.5×2.5×9.5 R/A DC Male- Tin
 22: UL2464 22AWG×2C
 B: Color: B- Black W- White
 1000: Length 1000=1000mm
 1500=1500mm

3	Cable	UL2464-22AWG×2C,Black	mm	L
2	PVC molding	PVC,BLACK, R/A Modul	g	xx
1	Connector	5.5×2.5×9.5 DC Male PLUG	PCS	1
ITEM	PART NAME	Description	UNIT	Q'TY

		Description:	
PROJECTION		5.5×2.5×9.5mm R/A DC Cable	
UNITS	mm	KLS P/N:	L-KLS17-ARY004-22BXXXX
SHEET SIZE	A4	NingBo KLS ELECTRONIC CO.,L TD.	
Draw:Daniel	2018-05-10		
Check:Daniel	2018-05-17		