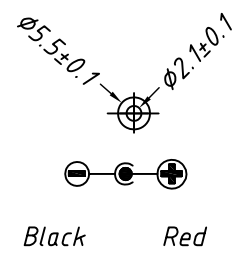
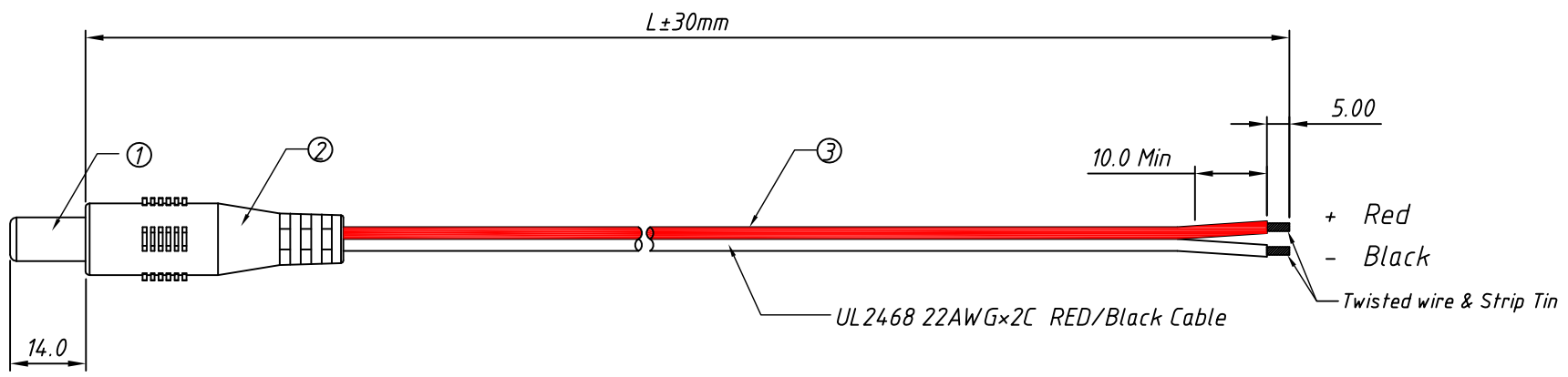


RoHS Compliant



Order Information

L-KLS17-ACP201- 22 T 1000

L: RoHS
 ACP201: 5.5x2.1x14 DC Male To Tin
 22: UL2468 22AWGx2C RED/Black Cable
 T: Twisted wire & Strip Tin
 1000: Length 1000=1000mm
 1500=1500mm

Note
 1:Open/Short Text 100% Text.
 2:Text Volts/insulation: DC 5V / 500KΩ
 3: All must be meet on RoHS Compliant

3	Cable	UL2468 22AWGx2C RED/Black Cable	mm	L
2	PVC molding	PVC,BLACK	g	xx
1	Connector	5.5x2.1x14 DC Male PLUG	PCS	1
ITEM	PART NAME	Description	UNIT	Q'TY

		Description:	
		5.5x2.1x14mm To Tin, DC Cable	
PROJECTION		KLS P/N:	L-KLS17-ACP201-22TXXXX
UNITS	mm		
SHEET SIZE	A4		
Draw:Daniel	2018-05-10	NingBo KLS ELECTRONIC CO.,L TD.	
Check:Daniel	2018-05-17		