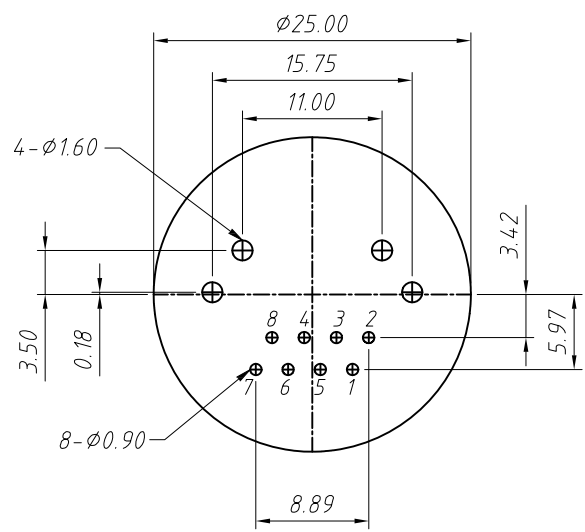
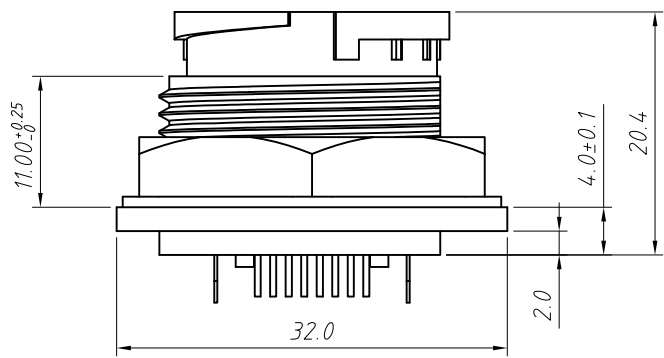
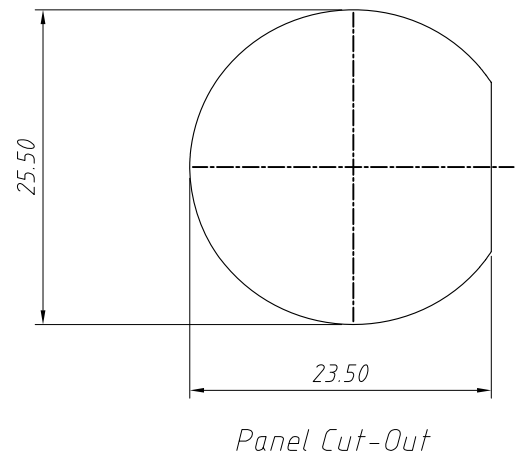
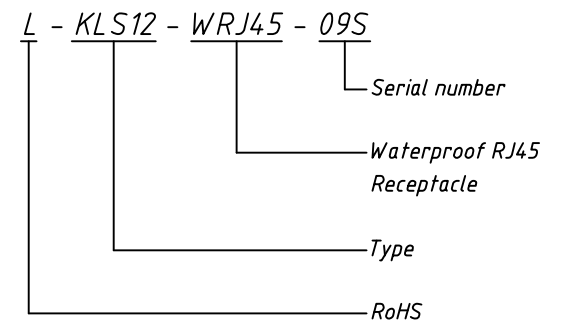


Materials:
 Housing: High Temp. Thermoplastic
 Flammability Rating UL 94V-0
 Contacts: Phosphor Bronze
 Plating: Gold plating over nickel in contact
 Shield: Brass with nickel plated
 Spring Shielding Pin
 Panel Cut-Out



Order Information



PCB LAYOUT

GENERAL TOLERANCE	PROJECTION		Description:
X. ±0.50	UNITS	mm	IP67 RJ45 Jack connector Quick Lock
.X ±0.25	SCALE	1:1	
.XX ±0.10	Draw by:	Jenny	
ANGLE TOLERANCE	Check by:		KLS P/N: L-KLS12-WRJ45-09S
X. ±5°	Date	2018-03-01	NingBo KLS ELECTRONIC CO.,L TD.
.X ±3°	SHEET	1 OF 1	
.XX ±2°			