

## Stereo Jack Series

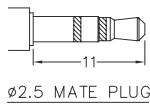
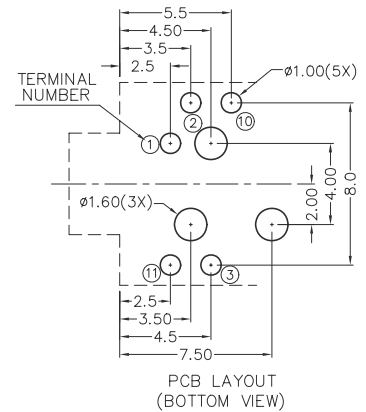
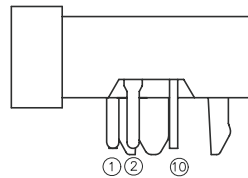
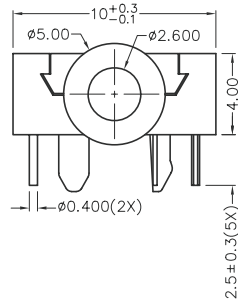
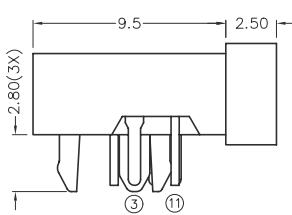
### KLS1-TSJ2.5-006A (Dip Stereo Jack)

**Technical parameters:**

Rated voltage: DC 30 V  
 Rated current: 0.5 A  
 Contact resistance: 0.03Ω, max  
 Insulation resistance: 100MΩ, min  
 Pressure: AC500V (50Hz) / 1minute  
 Insertion Force :2-20 N  
 Life: 50000 times  
 Operating Temperature:-30°C ~ 70°C

**Material:**

- Terminal 1 :Brass
- Terminal 2 :Copper Alloy
- Terminal 3 :Copper Alloy
- Terminal10 :Copper Alloy
- Terminal 11 :Copper Alloy
- Bousing :Brass
- Housing :Pa66
- Cover :Pa66



MODEL NO.	006A	006AA	006AB	006AC	006AD	006AE
SCHEMATIC						

## ORDER INFORMATION

Product NO.: KLS1-TSJ2.5-006AA

