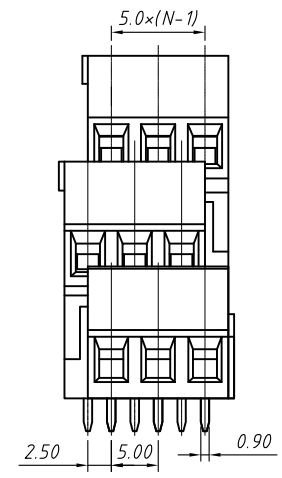
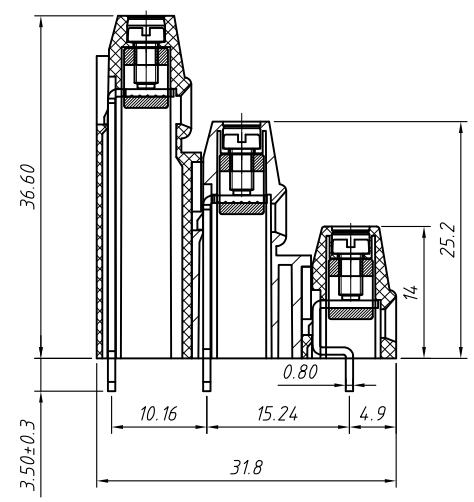
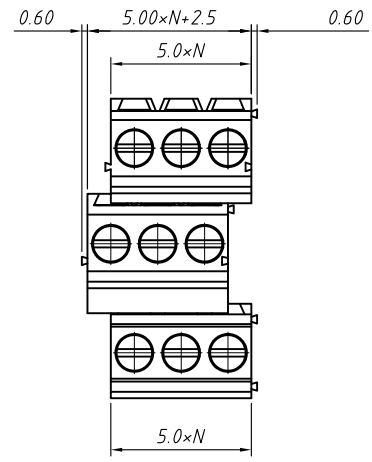


PCB LAYOUT

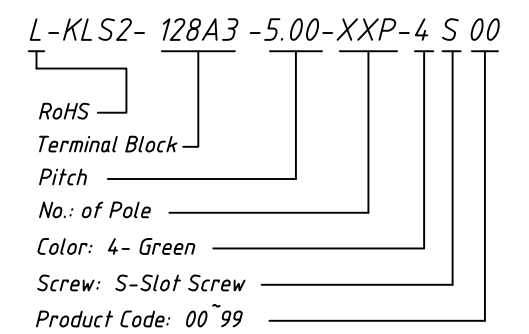


Material
Housing: PA66, UL94V-0
Pin header: Brass, Tin plated
Clamp: Brass, Ni plated
Screw: M2.5, steel Zinc plated

Electrical
Rated voltage: 300V
Rated current: 15A
Contact Resistance: 20 mΩ
Insulation resistance: 500MΩ/DC500V
Withstand voltage: AC2000V / 1 min
Wire Range: 30~14AWG 2.5mm²

Mechanical
Temp. Range: -40 °C ~ +105 °C
Strip length: 6~7mm
Torque: 0.4Nm (3.5Lb.in)

Order Information



| GENERAL TOLERANCE | | ANGLE TOLERANCE | | Description: | |
|-------------------|------------|-----------------|----|---------------------------------|------------------------|
| X. ±0.60 | | X. ±5° | | Screw CONN TERM Block 5.00mm | |
| .X ±0.38 | | .X ±3° | | KLS P/N: | KLS2-128A3-5.00-XXP-4S |
| .XX ±0.25 | | .XX ±2° | | | |
| Draw by | 2015-09-01 | PROJECTION | | NingBo KLS ELECTRONIC CO.,L TD. | |
| Check by | 2015-09-15 | UNITS | mm | | |
| SCALE | | SHEET SIZE | A4 | | |