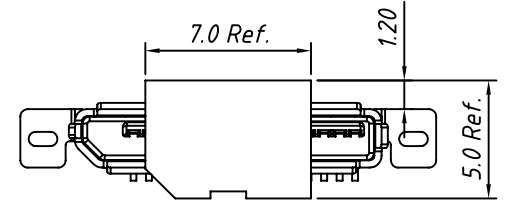
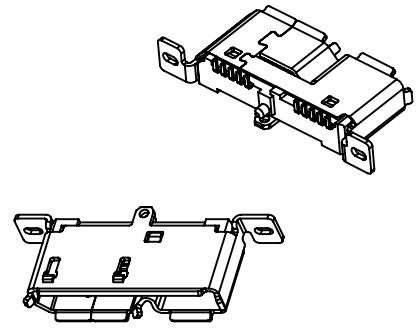
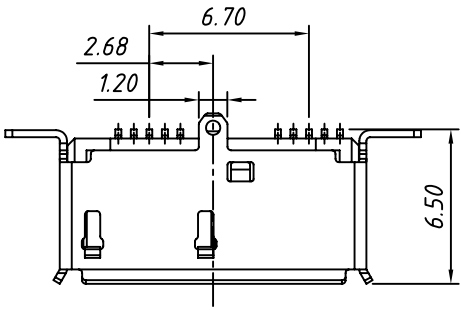


1 2 3 4 5 6 7 8

A
B
C
D
E
F
G
H

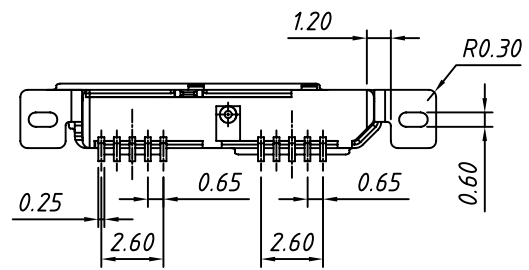
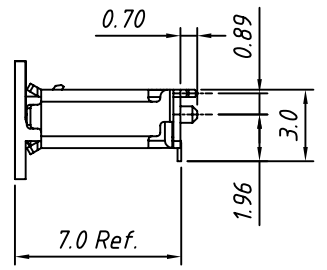
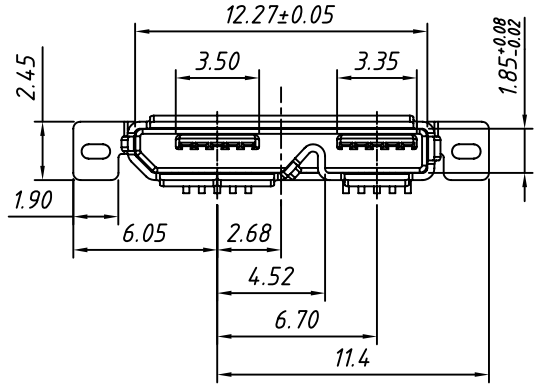
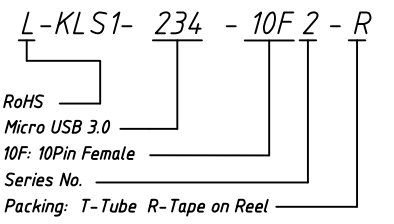


Material:
 Housing: LCP, UL 94 V-0
 Contact: Copper Alloy.
 Gold Plating AT Contact Area
 Tin Plating on the Tails.
 Shell: SUS304, Tin Plated

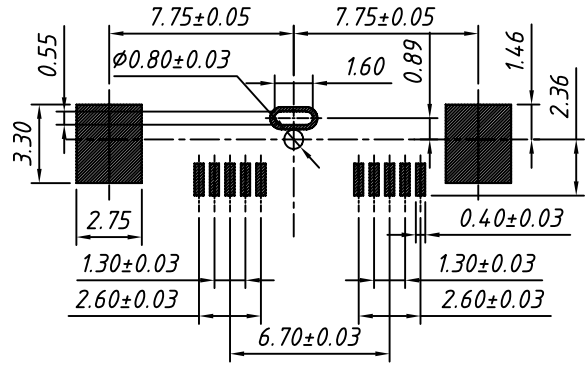
Electrical:
 Contact Current Rating: 1.5A Max.
 Contact Resistance: 30mΩ Max.
 Insulation Resistance: 100MΩ Min.
 Dielectric Withstanding Voltage:
 100V AC R.M.S.
 Operating Temperature: -20°C ~ +60°C.

Mechanical Characteristics:
 Mating Force: 3.5kgf Max.
 Unmating Force: 1.0kgf Min.
 Durability: 10000 Cycles

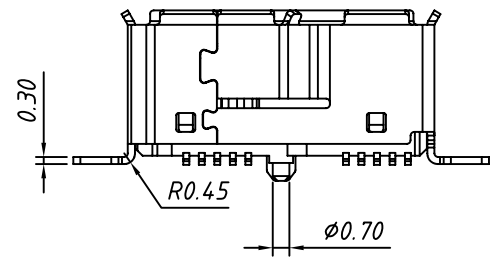
Order Information



Mechanical Characteristics:
 Mating Force: 3.5kgf Max.
 Unmating Force: 1.0kgf Min.
 Durability: 10000 Cycles



RECOMMENDED P.C.B. LAYOUT



GENERAL TOLERANCE	PROJECTION		Description:
X. ±0.50	UNITS	mm	MICRO USB 3.0 Female, 10P Vertical SMD
.X ±0.25	SCALE	1:1	
.XX ±0.10	Draw by:	Daniel	
ANGLE TOLERANCE	Check by:	Daniel	KLS P/N: L-KLS1-234-10F2-R
X. ±5°	Date	2018-03-01	NingBo KLS ELECTRONIC CO.,L TD.
.X ±3°	SHEET	1 OF 1	
.XX ±2°			

1 2 3 4 5 6 7 8