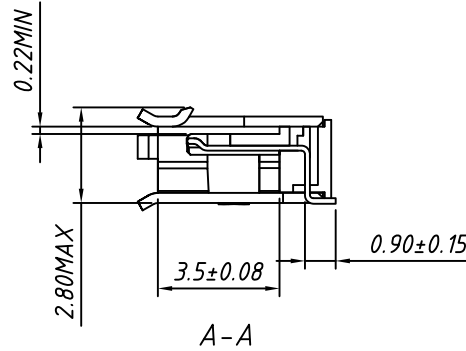
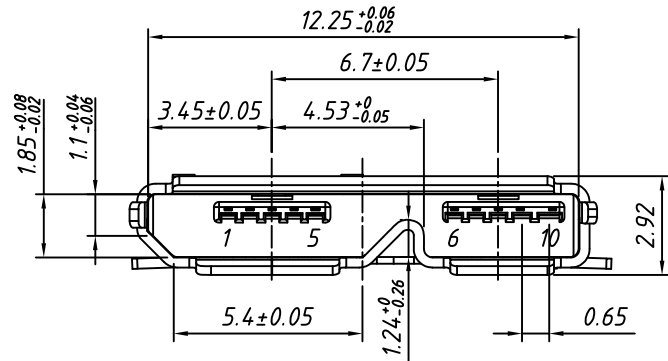


RECOMMENDED P.C.B LAYOUT



Material:
 Housing: LCP, UL 94V-0
 Contact: Copper Alloy.
 Gold Plating AT Contact Area
 Tin Plating on the Tails.
 Shell: SUS304, Tin Plated

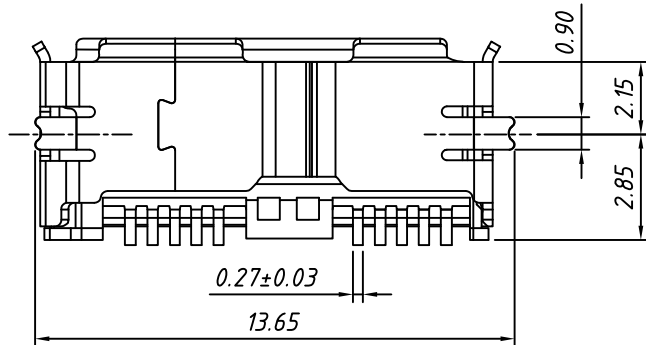
Electrical:
 Contact Current Rating: 1.0A Max.
 Contact Resistance: 30mΩ Max.
 Insulation Resistance: 100MΩ Min.
 Dielectric Withstanding Voltage:
 100V AC R.M.S.
 Operating Temperature: -30°C ~ +80°C.

Mechanical Characteristics:
 Mating Force: 3.5kgf Max.
 Unmating Force: 1.0kgf Min.
 Durability: 5000 Cycles

Order Information

L-KLS1- 234 - 10F 1 - R

RoHS
 Micro USB 3.0
 10F: 10Pin Female
 Series No.
 Packing: T-Tube R-Tape on Reel



GENERAL TOLERANCE	PROJECTION		Description:
X. ±0.50	UNITS	mm	MICRO USB 3.0 Female, 10P SMD
.X ±0.25	SCALE	1:1	
.XX ±0.10	Draw by:	Daniel	KLS P/N: L-KLS1-234-10F1-R
ANGLE TOLERANCE	Check by:	Daniel	NingBo KLS ELECTRONIC CO., L TD.
X. ±5°	Date	2018-03-01	
.X ±3°	SHEET	1 OF 1	
.XX ±2°			