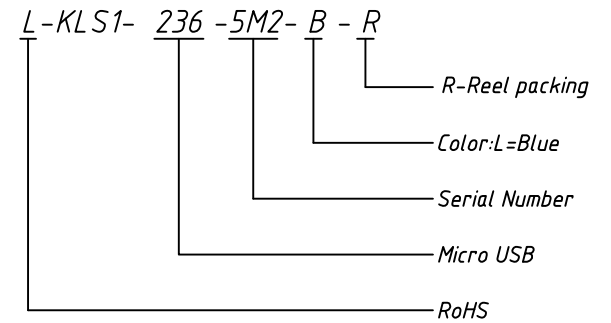


Material:
 Housing:Hing Temperature Plastic,
 UL94 V-0,Black.
 Contact:C2680/C5191.
 Shell:Copper.

Finish:
 Contact:Plated Gold In Mating Area;
 Tin Lead On Solder Talls.
 Shell:Nickel Plating.

Electrical:
 Contact Resistance:30mΩ Max.
 Insulation Resistance:100MΩ Min.

Order Information



GENERAL TOLERANCE	PROJECTION		Description:
X. ±0.50	UNITS	mm	CONN PLUG MICRO USB TYPE B SMD
.X ±0.25	SCALE	1:1	
.XX ±0.10	Draw by:	Jenny	
ANGLE TOLERANCE	Check by:		KLS P/N: L-KLS1-236-5M2-B-R
X. ±5°	Date	2018-03-01	NingBo KLS ELECTRONIC CO.,L TD.
.X ±3°	SHEET	1 OF 1	
.XX ±2°			