

1 2 3 4 5 6 7 8

A

B

C

D

E

F

G

H

A

B

C

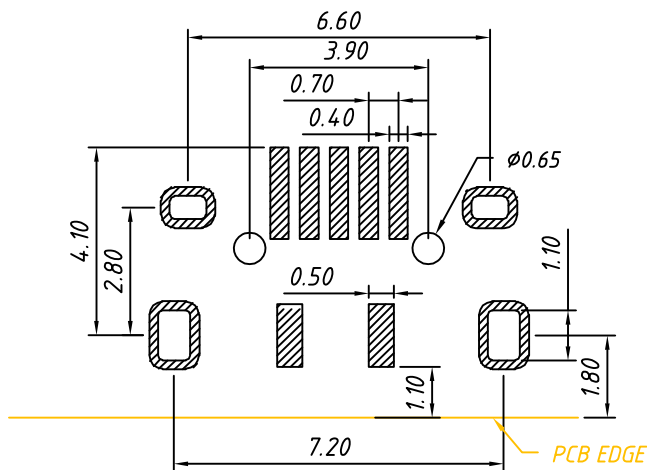
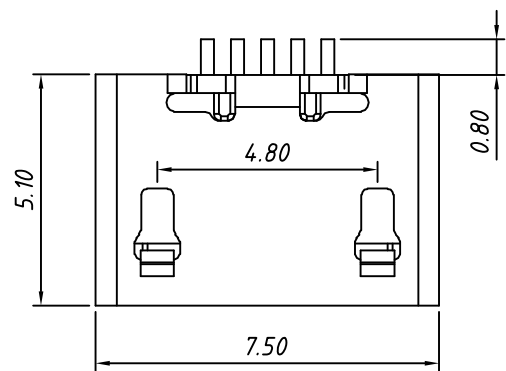
D

E

F

G

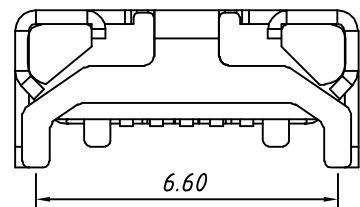
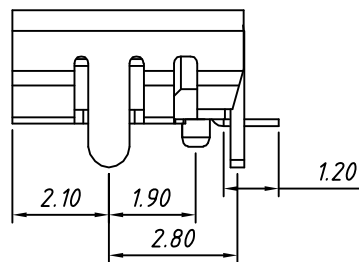
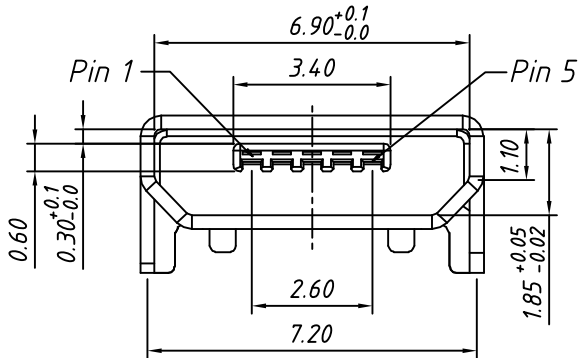
H



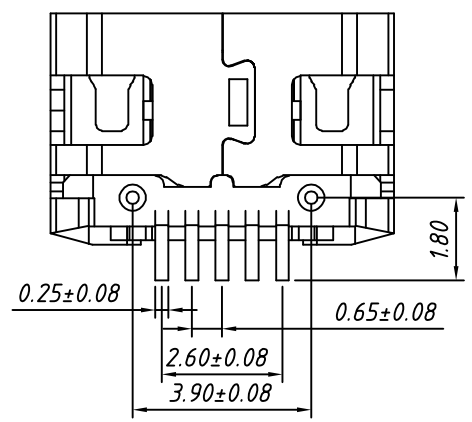
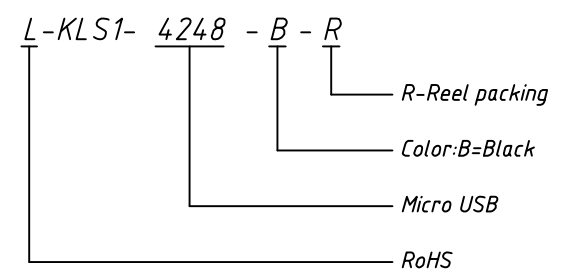
RECOMMENDED PCB LAYOUT

Material
 Housing:Hing Temperature Thermoplastic
 with G.F,UL 94 V-0,Black.
 Contact:Copper Alloy,t=0.15mm.
 Shell:Copper Alloy,t=0.30mm.

Electrical:
 Current Rating:1A Max.
 Dielectric Withstanding Voltage:
 100 V AC for 1min.
 Contact Resistance:50mΩ Max.
 Insulation Resistance:100MΩ Min.
 Total Mating Force:3.57 kgf Max.
 Total Unmating Force:1.0 kgf Min.
 Temperature Range: -30°C Up To +80°C



Order Information



GENERAL TOLERANCE	PROJECTION		Description:
.X ±0.50	UNITS	mm	CONN RCPT 5POS MICRO USB DIP 7.2mm
.X ±0.25	SCALE	1:1	
.XX ±0.10	Draw by:	Jenny	
ANGLE TOLERANCE	Check by:		KLS P/N: L-KLS1-4248-B-R
.X ±5°	Date	2018-03-01	NingBo KLS ELECTRONIC CO.,L TD.
.X ±3°	SHEET	1 OF 1	
.XX ±2°			

1 2 3 4 5 6 7 8