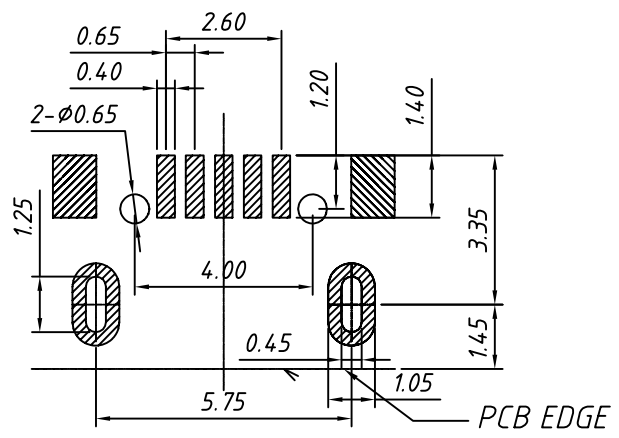
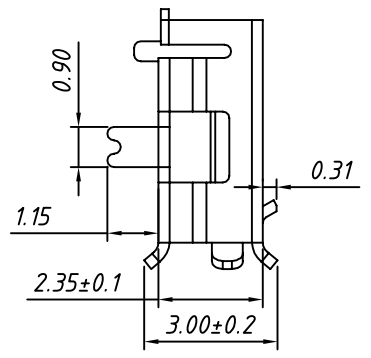
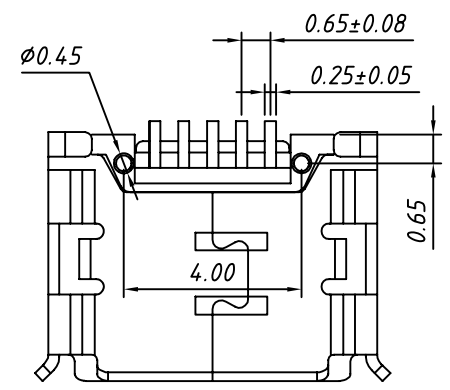
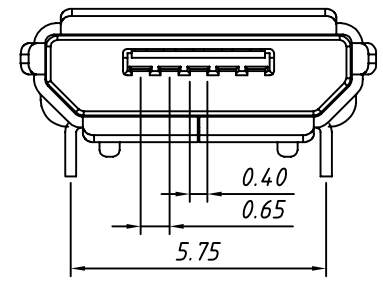
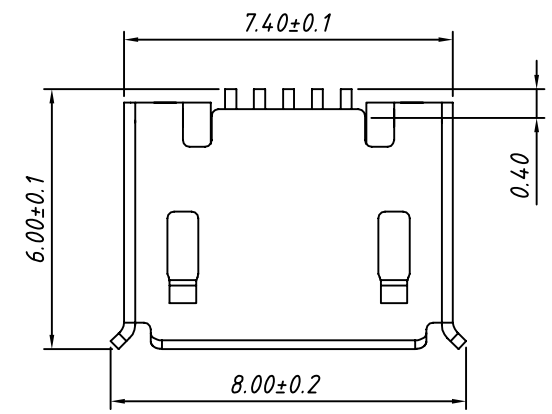
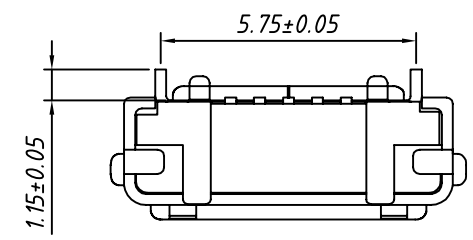
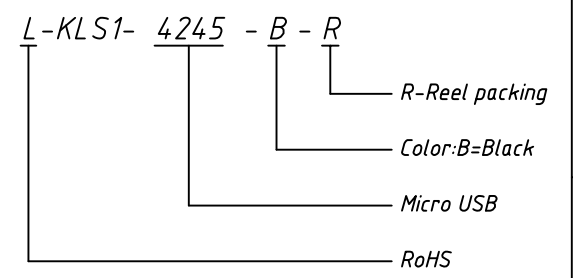


Material
 Housing: High Temperature Thermoplastics,
 UL 94V-0 LCP, Black.
 Contact: Copper Alloy C2680.
 Shell: Copper Alloy C2680.

Finish:
 Contact: Plated Gold In Mating Area;
 Tin On Solder Talls.
 Shell: Nickel Plating.

Electrical:
 Current Rating: 1.0A/Contact Terminal.
 Voltage Rating: 30V DC
 Contact Resistance: 50mΩ Max.
 Dielectric Withstanding Voltage:
 300 V AC AT Sea Level.
 Insulation Resistance: 100MΩ Min.
 Connector Mate and Unmated Force
 Mate Force: 3.0kgf Max.
 Unmated Force: 0.7kgf Min.
 Terminal Retention: 0.5kgf Min.

Order Information



RECOMMENDED PCB LAYOUT
 TOL: ±0.05

GENERAL TOLERANCE	PROJECTION		Description:
.X ±0.50	UNITS	mm	CONN RCPT 5POS MICRO USB DIP 5.9mm
.X ±0.25	SCALE	1:1	
.XX ±0.10	Draw by:	Jenny	
ANGLE TOLERANCE	Check by:		KLS P/N: L-KLS1-4245-B-R
.X ±5°	Date	2018-03-01	NingBo KLS ELECTRONIC CO.,L TD.
.X ±3°	SHEET	1 OF 1	
.XX ±2°			