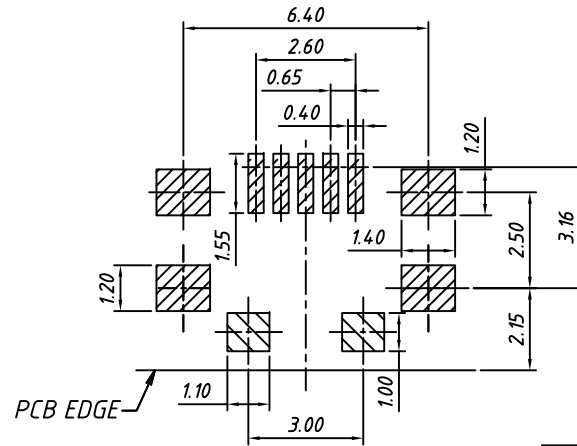
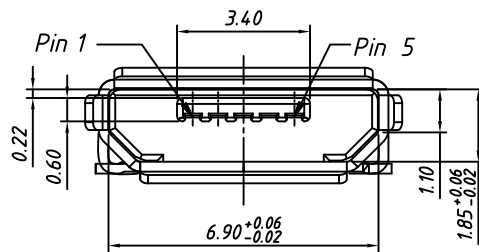
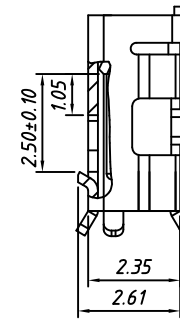
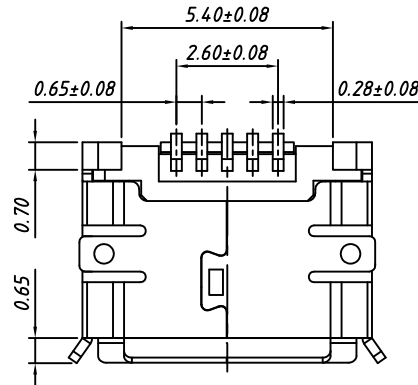


SECTION A-A

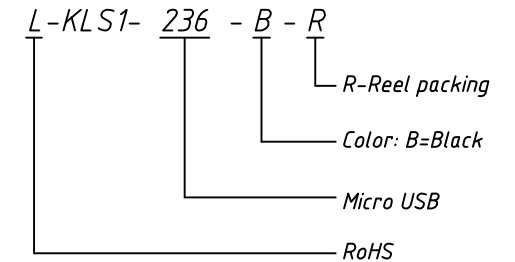


RECOMMENDED PCB LAYOUT

Material  
Housing:Hing Temperature  
Thermoplastic with g.f,  
UL 94 V-0,Black/White.  
Contact:Copper Alloy,t=0.20mm.  
Shell:Copper Alloy,t=0.25mm.

Electrical:  
Current Rating:1A Max.  
Dielectric Withstanding Voltage:  
100 V AC for 1 min.  
Contact Resistance:50mΩ Max.  
Insulation Resistance:100MΩ Min.  
Total Mating Force:3.57 kgf Max.  
Total Unmating Force:1.0 kgf Min.  
Temperature Range: -30°C Up To +80°C

Order Information



GENERAL TOLERANCE	PROJECTION		Description:
.X ±0.50	UNITS	mm	CONN RCPT 5POS MICRO USB SMD
.X ±0.25	SCALE	1:1	
.XX ±0.10	Draw by:	Jenny	KLS P/N: L-KLS1-236-B-R
ANGLE TOLERANCE	Check by:		NingBo KLS ELECTRONIC CO.,L TD.
.X ±5°	Date	2018-03-01	
.X ±3°	SHEET	1 OF 1	
.XX ±2°			