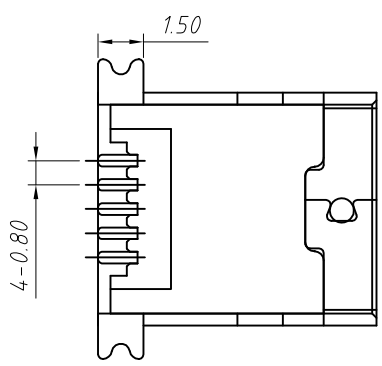
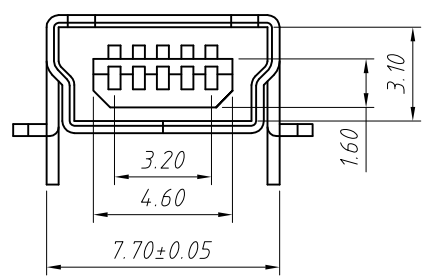
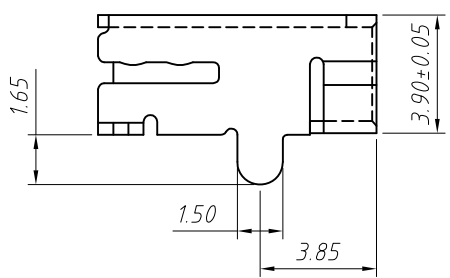


RECOMMENDED PCB LAYOUT

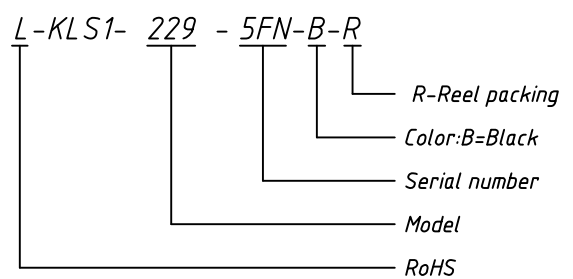


Material
 Housing:Hing Temperature Thermoplastic,UL 94V-0 LCP,Black.
 Contact:Copper Alloy C2680.
 Shell:Copper Alloy C2680/SPCC.

Finish:
 Contact:Plated Gold In Mating Area;Tin On Solder Talls.
 Shell:Nickel Plating.

Electrical:
 Current Rating:1.0A/Contact Terminal.
 Voltage Rating:30V DC
 Contact Resistance:50mΩ Max.
 Dielectric Withstanding Voltage:300 V AC AT Sea Level.
 Insulation Resistance:100MΩ Min.
 Connector Mate and Unmated Force
 Mate Force:3.0kgf Max.
 Unmated Force:0.7kgf Min.
 Terminal Retention:0.5kgf Min.

Order Information



GENERAL TOLERANCE	PROJECTION		Description:
X. ±0.30	UNITS	mm	CONN MINI USB RCPT, TYPE B SMD
.X ±0.25	SCALE	1:1	
.XX ±0.20	Draw by:	Jenny	
ANGLE TOLERANCE	Check by:		KLS P/N: L-KLS1-229-5FN-B-R
X. ±3°	Date	2018-03-01	NingBo KLS ELECTRONIC CO.,L TD.
.X ±2°	SHEET	1 OF 1	
.XX ±1°			