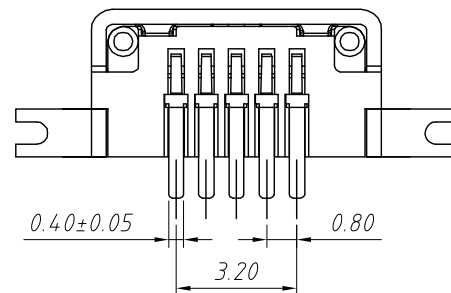
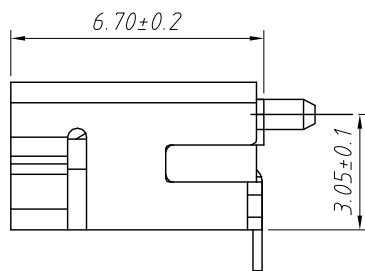
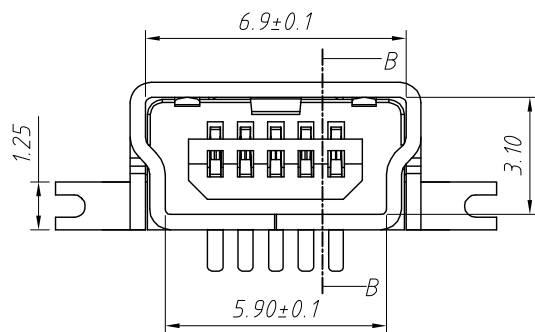


Material
 Housing:LCP UL94V-0,Black.
 Contact:Copper Alloy.
 Shell:Copper Alloy.

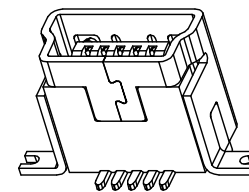
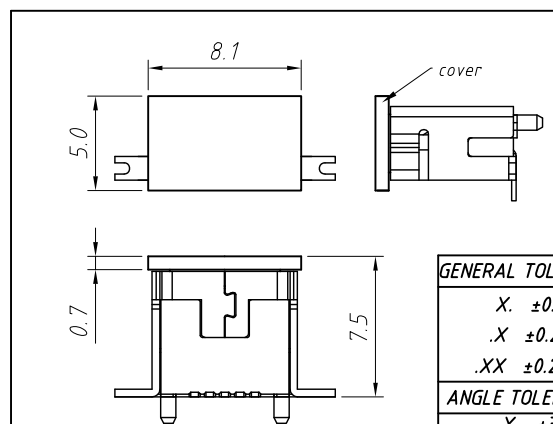
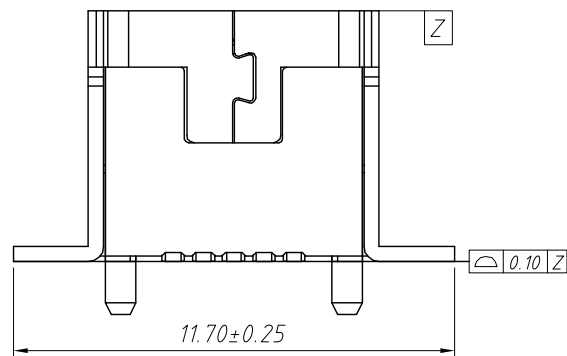
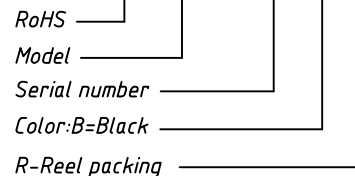
Finish:
 Contact:Gold Plating On Contact Area.
 80u" SN Plating On Solder Tail Area,
 50u" Min,Nickel Underplating Overall.

Electrical:
 Voltage Rating:30VAC RMS
 Current Rating:2.0A(pin 15);1.0A(pin 2 3 4).
 Contact Resistance:50mΩ Max.
 Insulation Resistance:100MΩ Min.
 Dielectric Withstanding Voltage:
 500 V AC For 1Minute.
 Operating Life:5000 Cycles.
 Operating temperature:-20 °C to +85 °C



Order Information

L-KLS1- 229 - 5FJ-B-R



GENERAL TOLERANCE	PROJECTION		Description:
X. ±0.30	UNITS	mm	Mini USB Connector 5Pin, B/F Vertical SMT
.X ±0.25	SCALE	1:1	
.XX ±0.20	Draw by:	Jenny	KLS P/N: L-KLS1-229-5FJ-B-R
ANGLE TOLERANCE	Check by:		NingBo KLS ELECTRONIC CO.,L TD.
X. ±3°	Date	2018-03-01	
.X ±2°	SHEET	1 OF 1	
.XX ±1°			