

1 2 3 4 5 6 7 8

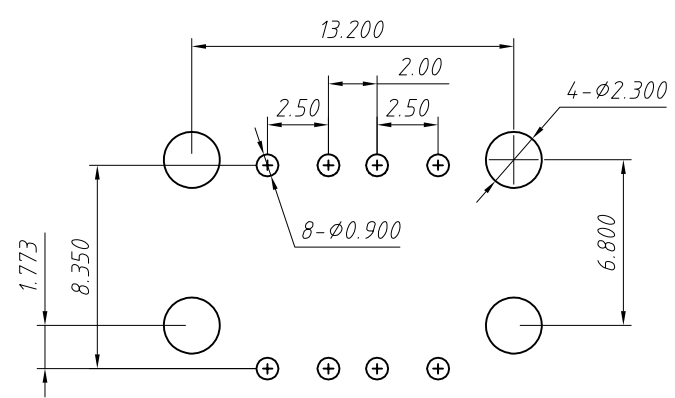
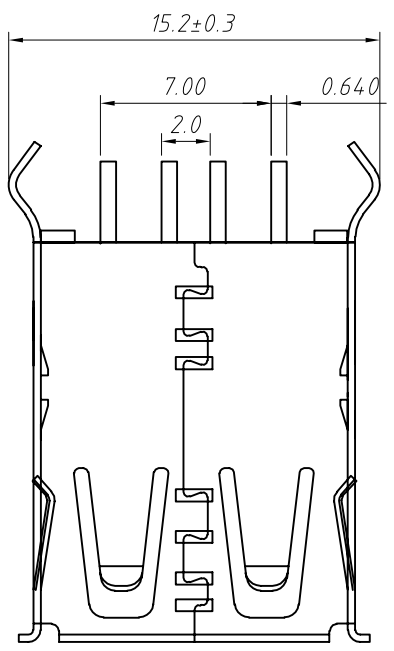
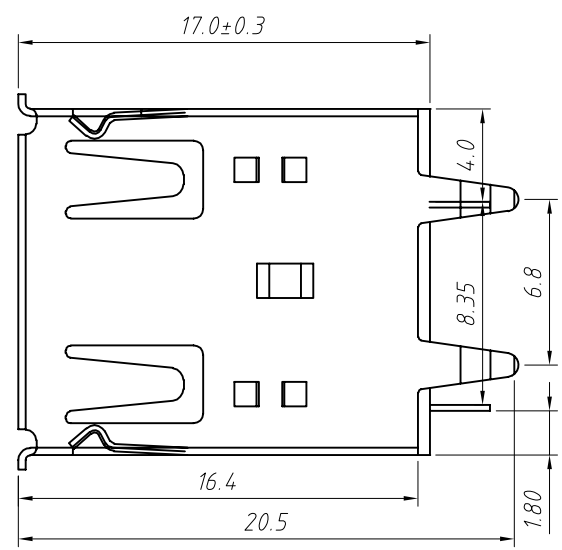
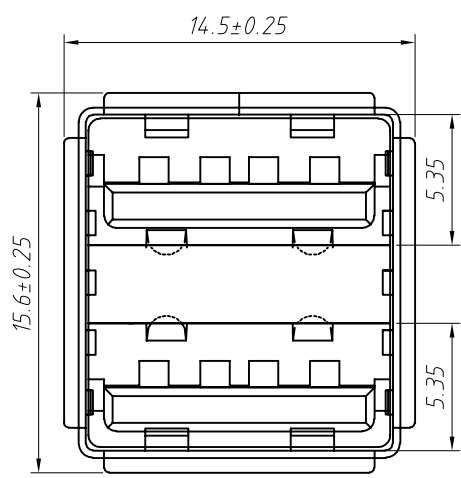
A
B
C
D
E
F
G
H

Material
 Housing:Hing Temperature Thermoplastic,
 UL94V-0 PBT,Black/White.
 Contact:Copper Alloy C2680.
 Shell:Copper Alloy C2680/SPCC.

Finish:
 Contact:Plated Gold In Mating Area;
 Tin On Solder Tails.
 Shell:Nickel Plating.

Electrical:
 Current Rating:1.5A/Contact Terminal.
 Voltage Rating:30V DC
 Contact Resistance:30mΩ Max.
 Dielectric Withstanding Voltage:
 500 V AC AT Sea Level.
 Insulation Resistance:1000MΩ Min.
 Connector Mate and Unmated Force
 Mate Force:3.75kgf Max.
 Unmated Force:1.02kgf Min.
 Terminal Retention:1.2kgf Min.

Order Information
 L-KLS1- 189 - B
 Color:W=White B=Black
 CONN USB 2.0
 RoHS



RECOMMENDED PCB LAYOUT

GENERAL TOLERANCE	PROJECTION		Description:
X. ±0.50	UNITS	mm	CONN USB 2.0 A TYPE Female Straight
.X ±0.25	SCALE	1:1	
.XX ±0.10	Draw by:	Jenny	
ANGLE TOLERANCE	Check by:		KLS P/N: L-KLS1-189-X
X. ±5°	Date	2018-03-01	NingBo KLS ELECTRONIC CO.,L TD.
.X ±3°	SHEET	1 OF 1	
.XX ±2°			

1 2 3 4 5 6 7 8