

Material

Housing:Hing Temperature Thermoplastic,UL 94 V-0 PBT,Black/White.

Contact:Copper Alloy C2680.

Shell:Copper Alloy C2680/SPCC.

Finish:

Contact:Plated Gold In Mating Area; Tin On Solder Tails.

Shell:Nickel Plating.

Electrical:

Current Rating:1.5A/Contact Terminal.

Voltage Rating:30V DC

Contact Resistance:30mΩ Max.

Dielectric Withstanding Voltage:500 V AC AT Sea Level.

Insulation Resistance:1000MΩ Min.

Connector Mate and Unmated Force

Mate Force:3.75kgf Max.

Unmated Force:1.02kgf Min.

Terminal Retention:1.2kgf Min.

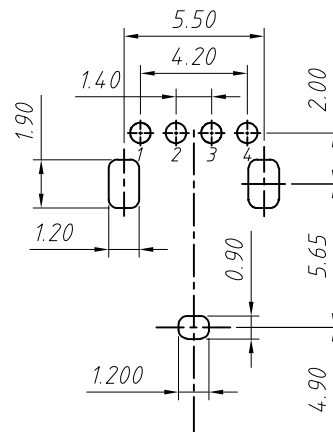
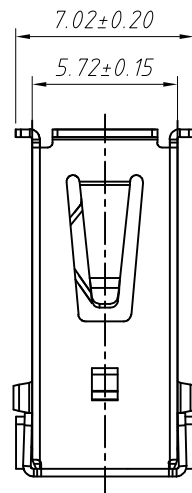
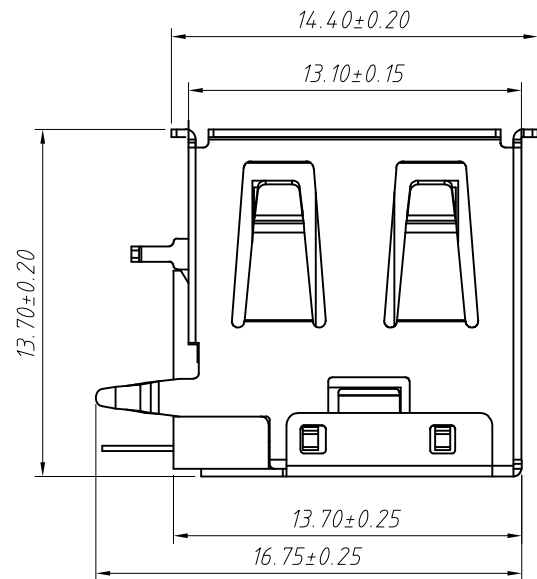
Order Information

L-KLS1- 1824 - B

Color:W=White B=Black

CONN USB 2.0

RoHS



RECOMMENDED PCB LAYOUT

GENERAL TOLERANCE	PROJECTION		Description:
X. ±0.50	UNITS	mm	CONN COM TYPE A USB Female R/A, Reverse
.X ±0.25	SCALE	1:1	
.XX ±0.10	Draw by:	Jenny	
ANGLE TOLERANCE	Check by:		KLS P/N: L-KLS1-1824-X
X. ±5°	Date	2018-03-01	NingBo KLS ELECTRONIC CO.,L TD.
.X ±3°	SHEET	1 OF 1	
.XX ±2°			