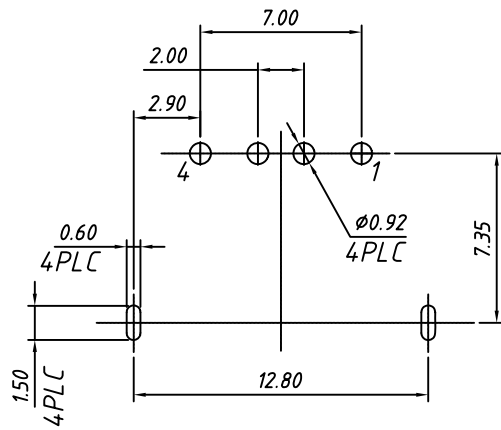
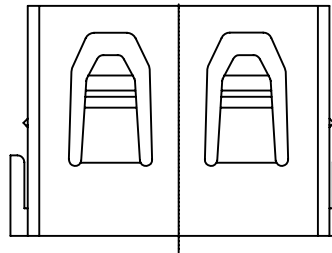
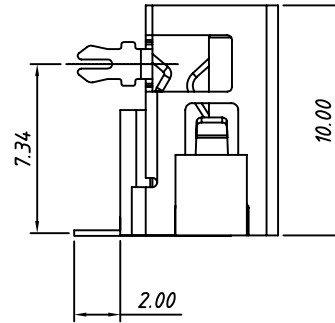
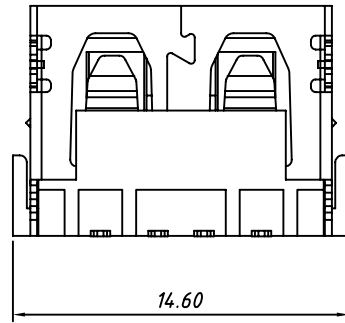
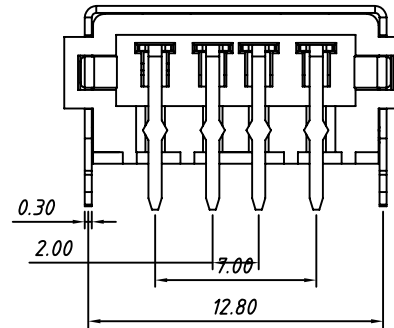


SECTION A-A



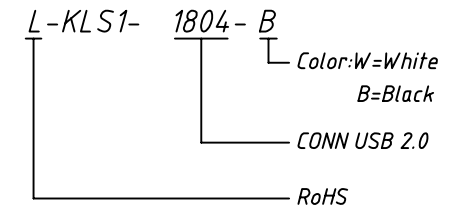
RECOMMENDED PCB LAYOUT
TOLERANCE: ±0.05

Material
Housing:Hing Temperature Thermoplastic,
UL 94 V-0 PBT,Black/White.
Contact:Copper Alloy C2680.
Shell:Copper Alloy C2680/SPCC.

Finish:
Contact:Plated Gold In Mating Area;
Tin On Solder Tails.
Shell:Nickel Plating.

Electrical:
Current Rating:1.5A/Contact Terminal.
Voltage Rating:30V DC
Contact Resistance:30mΩ Max.
Dielectric Withstanding Voltage:
500 V AC AT Sea Level.
Insulation Resistance:1000MΩ Min.
Connector Mate and Unmated Force
Mate Force:3.75kgf Max.
Unmated Force:1.02kgf Min.
Terminal Retention:1.2kgf Min.

Order Information



GENERAL TOLERANCE	ANGLE TOLERANCE	PROJECTION	Description:
X. ±0.60	X. ±5°	UNITS	CONN COM TYPE A USB Female R/A,L10.0 L-KLS1-1804-X
.X ±0.38	.X ±3°	SHEET SIZE	
.XX ±0.25	.XX ±2°	KLS P/N:	

Draw by: Date	2018-03-01
Check by: Date	2018-03-01
SCALE	SHEET OF

NingBo KLS ELECTRONIC CO.,LTD.