

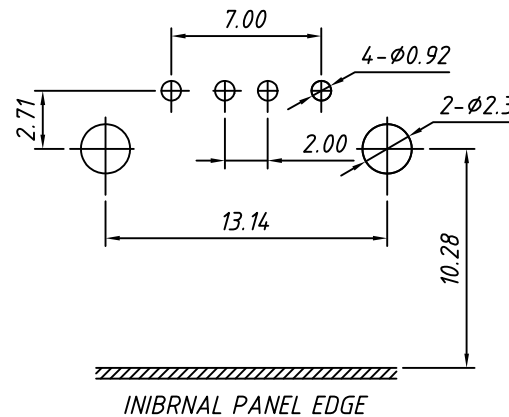
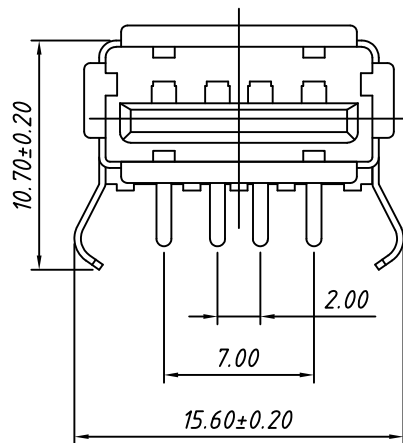
Material:
Housing: PBT+30%GF, UL 94 V-0.
Shell: Brass C2680 T=0.30mm, Plated Nickel
Terminal: Phosphor Bronze C5191 T=0.25mm,
Plated Gold/Tin.

Electrical:
Voltage Current Rating: 1.5AMP, 30V AC.
Insulator Resistance: 1000MΩ Min.
Contact Resistance: 30mΩ Max.
Withstanding Voltage: 500V AC

Mechanical
Operating Temperature: -55°C TO +85°C.
Mating Force: 3.5kgf MAX.
Unmating Force: 1.0kgf MIN.

Order Information

L-KLS1- 18R1 - B
Color: W=White
B=Black
CONN USB 2.0
RoHS



RECOMMENDED PCB LAYOUT
TOLERANCE: ±0.05

GENERAL TOLERANCE	ANGLE TOLERANCE	PROJECTION	Description:
X. ±0.60	X. ±5°	UNITS	CONN COM TYPE A USB Female R/A, Reverse L-KLS1-18R1-X
.X ±0.38	.X ±3°	SHEET SIZE	
.XX ±0.25	.XX ±2°	KLS P/N:	

Draw by: Date 2018-03-01
Check by: Date 2018-03-01
SCALE SHEET OF

KLS
NingBo KLS ELECTRONIC CO.,LTD.