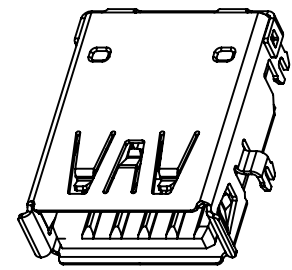
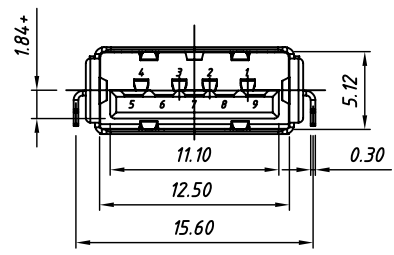


DETAIL A

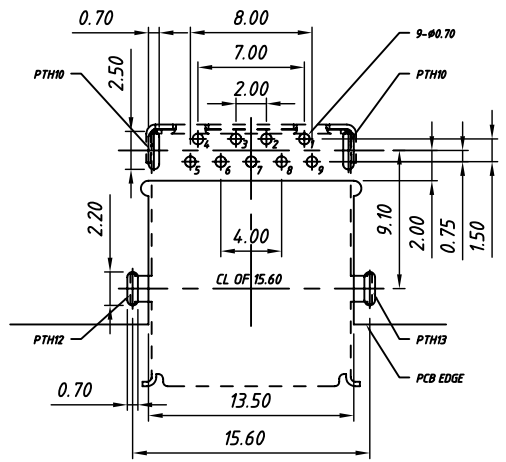
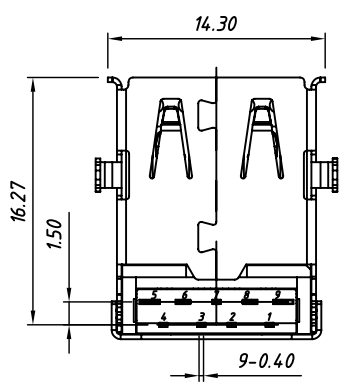
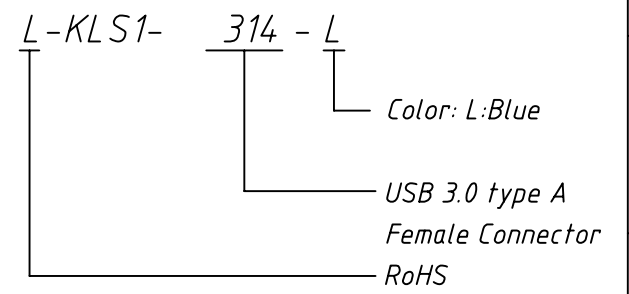
Material
 Housing: Thermoplastic, Glass Fiber Filled, UL 94-HB
 Cover: Thermoplastic, Glass Fiber Filled, UL 94 V-0
 USB2.0 Contact: Copper Alloy, Gold.
 USB3.0 Contact: Copper Alloy, Gold.
 Shell: Brass/Spcc, Nickel(Ni) T=0.30MM

Electrical
 Contact Current Rating: 1.5 A For Pin1&Pin4 0.25 A Other Contacts.
 Withstanding Voltage: 100vac(Rms)
 Contact Resistance: 30mΩ Max(Initial) For Pin1&Pin4
 50mΩ Max(Initial) For Other Contacts
 10mΩ Max Change For Post Test LlcR
 Insulation Resistance: 1000mΩ Min

Mechanical
 Operating Temperature: -40°C TO +85°C.
 Mating Force: 35N MAX
 Unmating Force: 10N MIN.



Order Information



P.C.B LAYOUT
 TOLERANCE:±0.05, THICKNESS:1.2mm

GENERAL TOLERANCE	PROJECTION		Description:
X. ±0.50	UNITS	mm	USB 3.0 Type A Female CONN. MID MOUNT DIP, H3.18mm
.X ±0.25	SCALE	1:1	
.XX ±0.10	Draw by:	Daniel	
ANGLE TOLERANCE	Check by:	Daniel	KLS P/N: KLS1-314
X. ±5°	Date	2018-03-01	NingBo KLS ELECTRONIC CO.,L TD.
.X ±3°	SHEET	1 OF 1	
.XX ±2°			