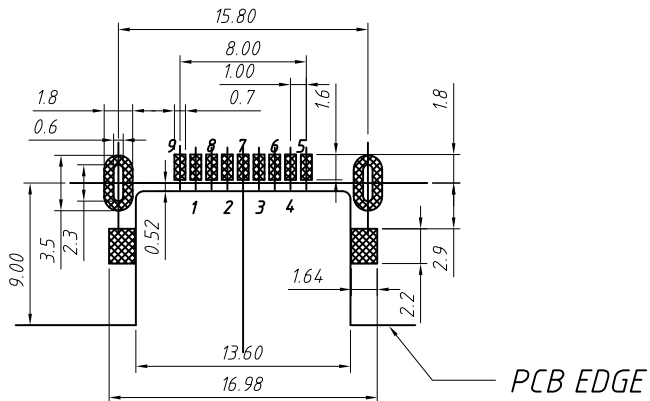
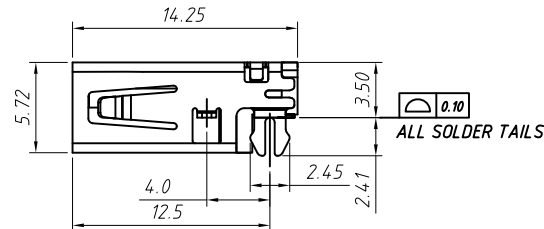
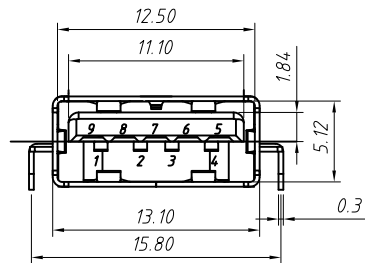
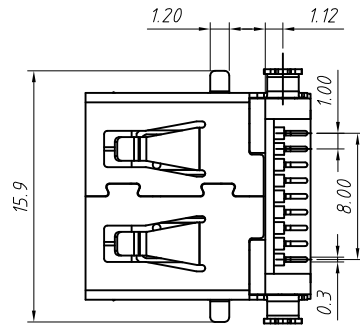
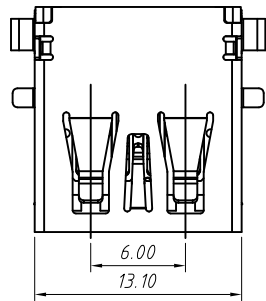


1
RoHS Compliant



RECOMMENDED PCB LAYOUT
TOLERANCE: ±0.05,
(TOP VIEW)

Material

Housing: Thermoplastic, Glass Fiber Filled, UL 94-HB
 Cover: Thermoplastic, Glass Fiber Filled, UL 94V-0
 Contact: Copper Alloy, Gold.
 Shell: Brass/Spcc, Nickel(Ni) T=0.30MM

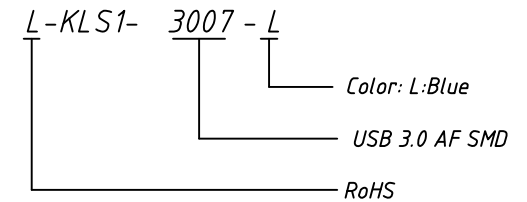
Electrical

Contact Current Rating: 1.5 A For Pin1&Pin4
 0.25 A Other Contacts.
 Withstanding Voltage: 100vac(Rms)
 Contact Resistance: 30mΩ Max(Initial) For Pin1&Pin4
 50mΩ Max(Initial) For Other Contacts
 Insulation Resistance: 1000MΩ Min

Mechanical

Operating Temperature: -30°C TO +80°C.
 Mating Force: 35N MAX
 Unmating Force: 10N MIN.

Order Information



GENERAL TOLERANCE	PROJECTION		Description:
X. ±0.50	UNITS	mm	USB 3.0 Type A Female CONN, MID MOUNT, SMD, H3.5mm
.X ±0.25	SCALE	1:1	
.XX ±0.10	Draw by:	Jenny	
ANGLE TOLERANCE	Check by:		KLS P/N: KLS1-3007
X. ±5°	Date	2018-03-01	NingBo KLS ELECTRONIC CO.,L TD.
.X ±3°	SHEET	1 OF 1	
.XX ±2°			