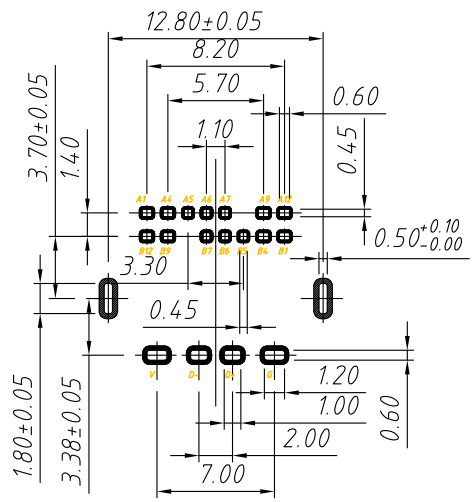
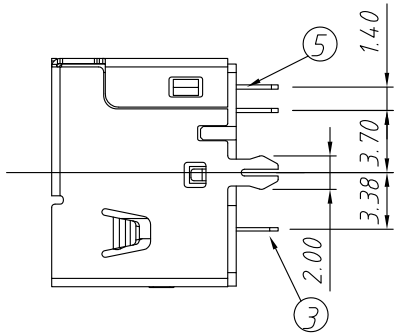
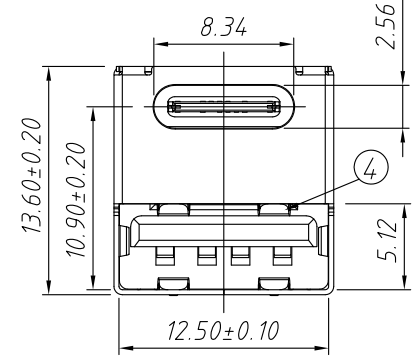
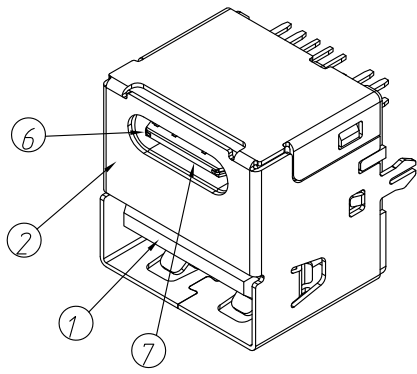
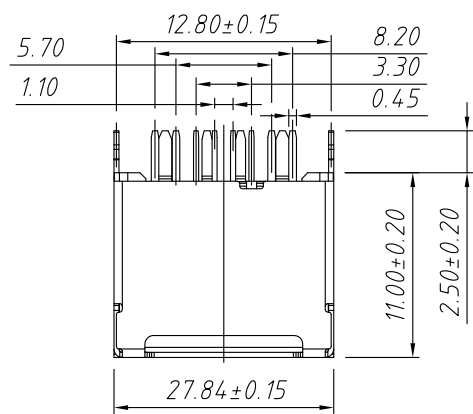


1 2 3 4 5 6 7 8

A  
B  
C  
D  
E  
F  
G  
H



**Electrical**  
 Current Rating: 1.5A Max  
 Voltage: 100 VAC  
 Contact Resistance: 40mΩ Max  
 Insulation Resistance: 100MΩ Min.

**Mechanical**  
 Operating Temperature: -30°C TO +85°C.  
 Insertion Force : 5N~20N  
 Unmating Force: 8N~20N  
 Durability: 10000 Cycles


**Order Information**

L-KLS1- 5460  
 USB Type C +type A  
 Female Connector  
 RoHS

**RECOMMENDED PCB LAYOUT**  
 GENERAL TOLERANCE: ±0.05

A1	GND	B12	GND
A4	VBUS	B9	VBUS
A5	CC1	B7	DN2
A6	DP1	B6	DP2
A7	DN1	B5	CC2
A9	VBUS	B4	VBUS
A12	GND	B1	GND
Pin	Signal Name	Pin	Signal Name

7	Type C MD	High Temperature Plastic,Black
6	CENTER PIECE	Stainless Steel
5	Type C Terminal	Copper Alloy,Au/Nickel plated
4	CLIP	Stainless Steel;Nickel plated
3	USB AF Terminal	Copper Alloy,Au/Nickel plated
2	Shell	Stainless Steel;Nickel plated
1	Housing	High Temperature Plastic,Black
No.:	Name	DESCRIPTION

TOLERANCE	PROJECTION	Symbol	Description:
.X ±0.30	UNITS	mm	USB Type C & Type A Female CONN.14P DIP,Stright
.XX ±0.20	SHEET	A4	
.XXX ±0.10	Draw:	Daniel	KLS P/N: KLS1-5460
X. ±2°	Check:	Daniel	 NingBo KLS ELECTRONIC CO.,LTD.
.X ±1°	Date	2018-03-01	
.XX ±0.5°			

1 2 3 4 5 6 7 8