

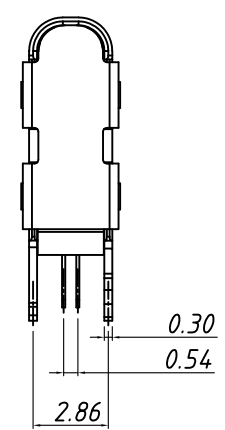
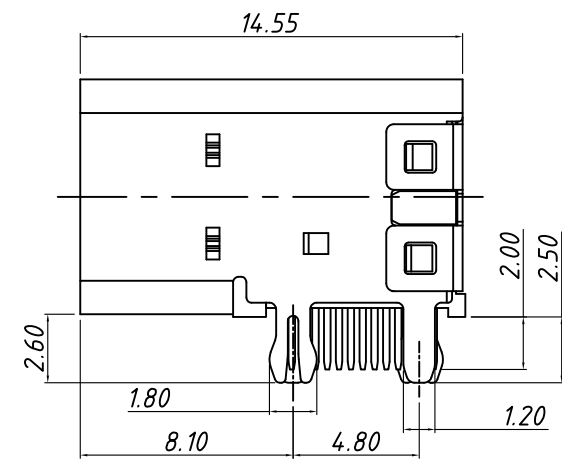
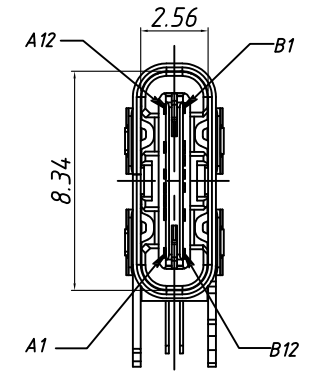
RECOMMENDED PCB LAYOUT  
GENERAL TOLERANCE: ±0.05

**Electrical**  
Current Rating: 3.0A Max  
Voltage: 100 VAC  
Contact Resistance: 40mΩ Max  
Insulation Resistance: 100MΩ Min.

**Mechanical**  
Operating Temperature: -30°C TO +85°C.  
Insertion Force : 5N~20N  
Unmating Force: 8N~20N  
Durability: 10000 Cycles

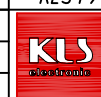
**Order Information**

L-KLS1- 5417  
USB Type C  
Female Connector  
RoHS



A1	GND	B12	GND
A4	VBUS	B9	VBUS
A5	CC1	B7	DN2
A6	DP1	B6	DP2
A7	DN1	B5	CC2
A9	VBUS	B4	VBUS
A12	GND	B1	GND
Pin	Signal Name	Pin	Signal Name

5	Shell	Stainless Steel, Ni/Sn plated	1PCS
4	Spring	Stainless Steel,	1PCS
3	Shielding Plate	Stainless Steel, Nickel plated	1PCS
2	Contact	Copper Alloy, Au /Nickel plated	1SET
1	Housing	High Temperature Plastic, Black	1PCS
No.:	Name	DESCRIPTION	Q'TY

TOLERANCE		Description:	
.X ±0.30	PROJECTION	USB Type C Female CONN. 14P SIDE DIP R/A	
.XX ±0.20	UNITS	mm	
.XXX ±0.10	SHEET	A4	
X. ±2°	Draw:	Daniel	KLS P/N: KLS1-5417
.X ±1°	Check:	Daniel	 <b>NingBo KLS ELECTRONIC CO.,LTD.</b>
.XX ±0.5°	Date	2018-03-01	