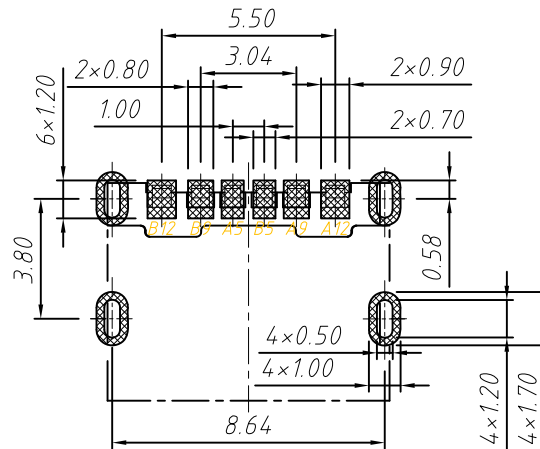
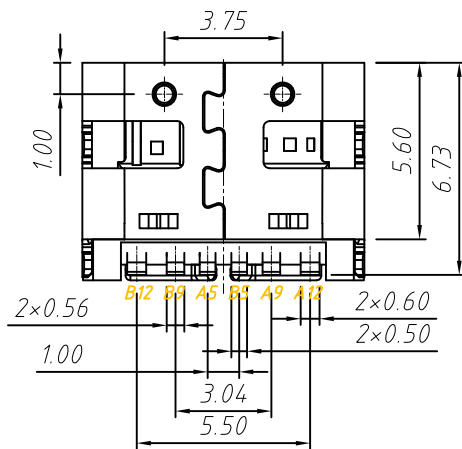
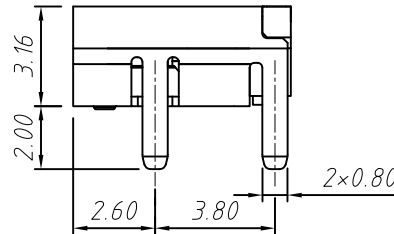
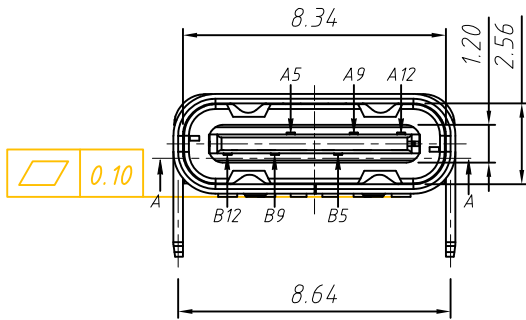


Electrical
 Current Rating: 3.0A Max
 Voltage: 100 VAC
 Contact Resistance: 40mΩ Max
 Insulation Resistance: 100MΩ Min.

Mechanical
 Operating Temperature: -30°C TO +85°C.
 Insertion Force : 5N~20N
 Unmating Force: 8N~20N
 Durability: 10000 Cycles

Order Information

L-KLS1- 5413
 USB Type C
 Female Connector
 RoHS



Pin	Signal Name	Pin	Signal Name
		B12	GND
		B9	VBUS
A5	CC1		
		B5	CC2
A9	VBUS		
A12	GND		

RECOMMENDED PCB LAYOUT
 GENERAL TOLERANCE: ±0.05

5	Shell	Stainless Steel; Ni/Sn plated	1PCS
4	Spring	Stainless Steel;	1PCS
3	Shielding Plate	Stainless Steel; Nickel plated	1PCS
2	Contact	Copper Alloy, Au/Nickel plated	1SET
1	Housing	High Temperature Plastic, Black	1PCS
No.:	Name	DESCRIPTION	Q'TY

TOLERANCE	PROJECTION	UNITS	SHEET	Draw:	Description:
.X ±0.30		mm	A4	Daniel	USB Type C Female CONN.6P,SMD
.XX ±0.20					
.XXX ±0.10					
X. ±2°					KLS P/N: KLS1-5413
.X ±1°					NingBo KLS ELECTRONIC CO.,LTD.
.XX ±0.5°				2018-03-01	