

1
RoHS Compliant

Note:

1. Appearance: Terminal cannot be corrected, scratched or oxidized

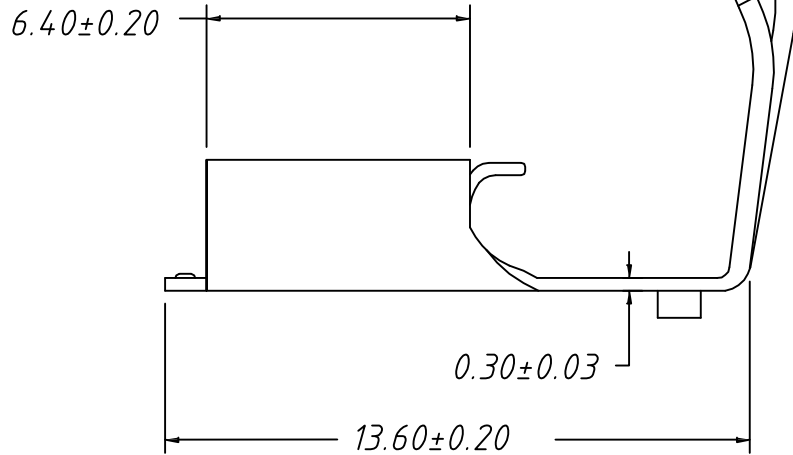
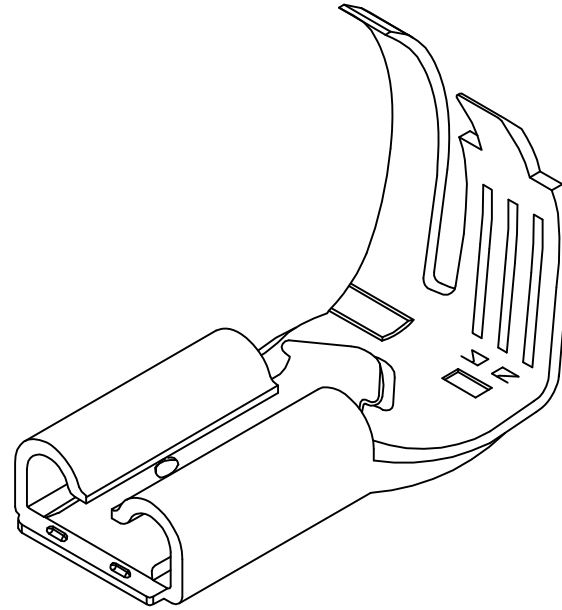
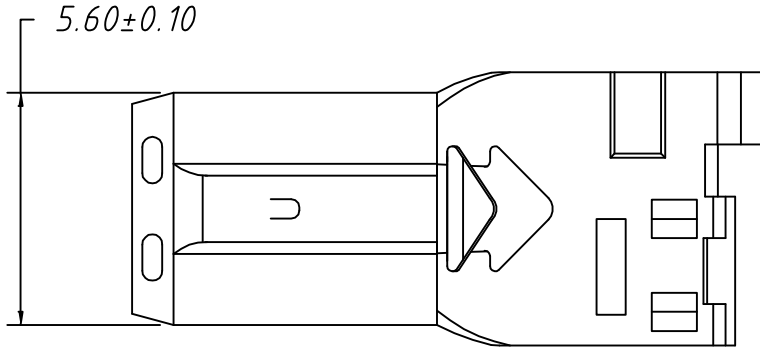
2. Material:

Brass C2680, T=0.30mm, Tin plating

3. Q'TY: 2500PCS/REEL

4. Connectoin Table: See Table

5. Wire Range: 18~20AWG



P/N	Connection Table
L-KLS8-BFV03-1870500	W4.75×T0.5mm
L-KLS8-BFV03-1870800	W4.75×T0.8mm

TOLERANCE		PROJECTION	Description:
0 - 3mm	±0.10	UNITS	mm
3 - 6mm	±0.15	SHEET SIZE	A4
6 - 10mm	±0.20	KLS P/N: KLS8-BFV03-1870X00	
10 - 30mm	±0.25	187 Type Flag	
Draw: Daniel		ANGLE	±3°
Check: Daniel		Data:	2019-04-10



NingBo KLS ELECTRONIC CO.,L TD.