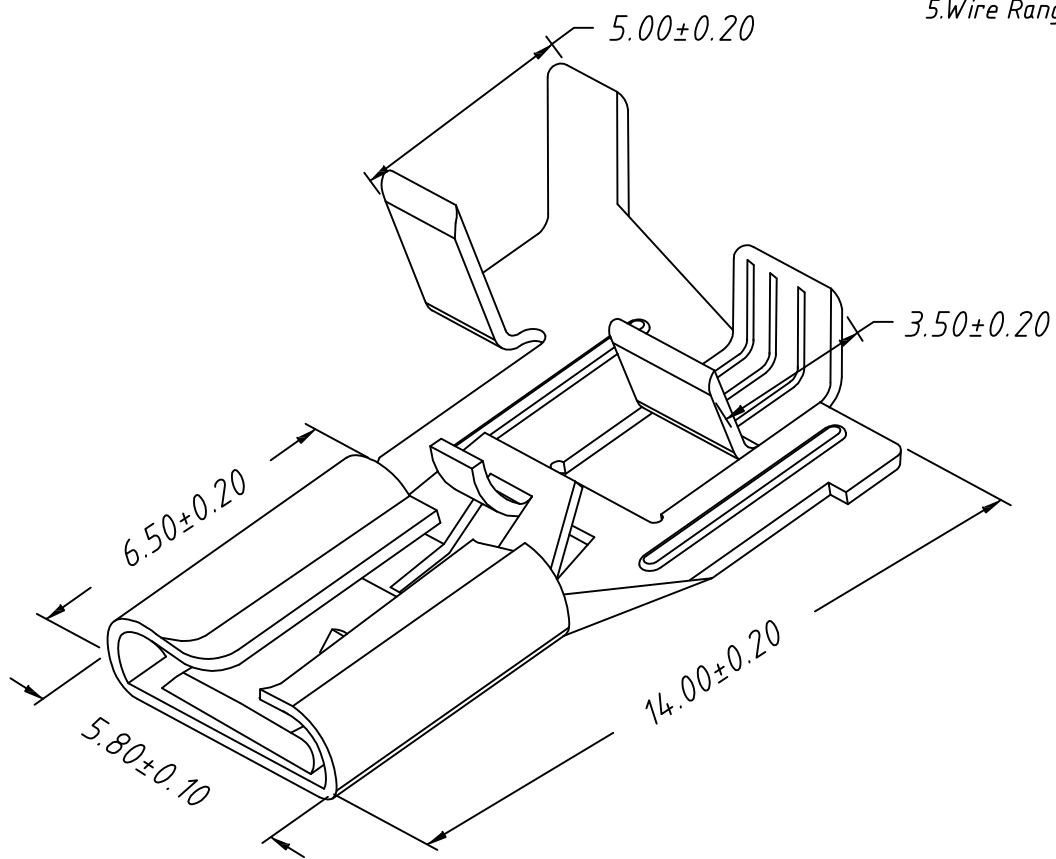
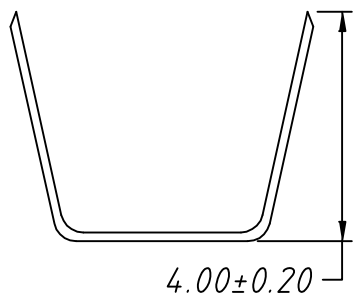
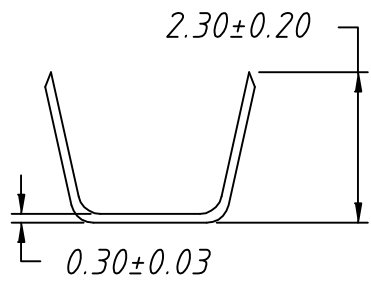



1  
RoHS Compliant

Note:  
 1. Appearance: Terminal cannot be corrected, scratched or oxidized  
 2. Material:  
     Brass C2680, T=0.30mm, Tin plating  
 3. Q'TY: 5000PCS/REEL  
 4. Connectoin Table: W4.75×T0.80mm  
 5. Wire Range: 18~20AWG



TOLERANCE		PROJECTION	Description:		
0 - 3mm	±0.10	UNITS	mm		
3 - 6mm	±0.15	SHEET SIZE	A4		
6 - 10mm	±0.20	KLS P/N: KLS8-BFV02-1870800			
10 - 30mm	±0.25	 NingBo KLS ELECTRONIC CO.,L TD.			
Draw:	Daniel			ANGLE	±3°
Check:	Daniel			Data:	2019-04-10

187 Type Flag  
Female TERM. With Lock



NingBo KLS ELECTRONIC CO.,L TD.