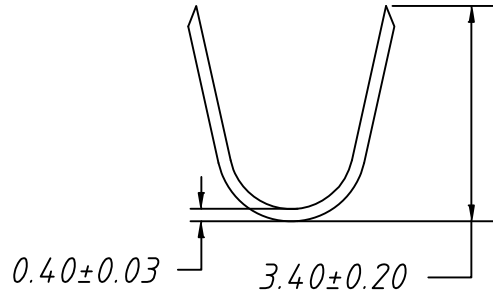
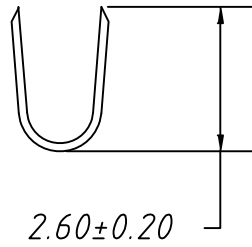


1
RoHS Compliant



Note:

1. Appearance: Terminal cannot be corrected, scratched or oxidized

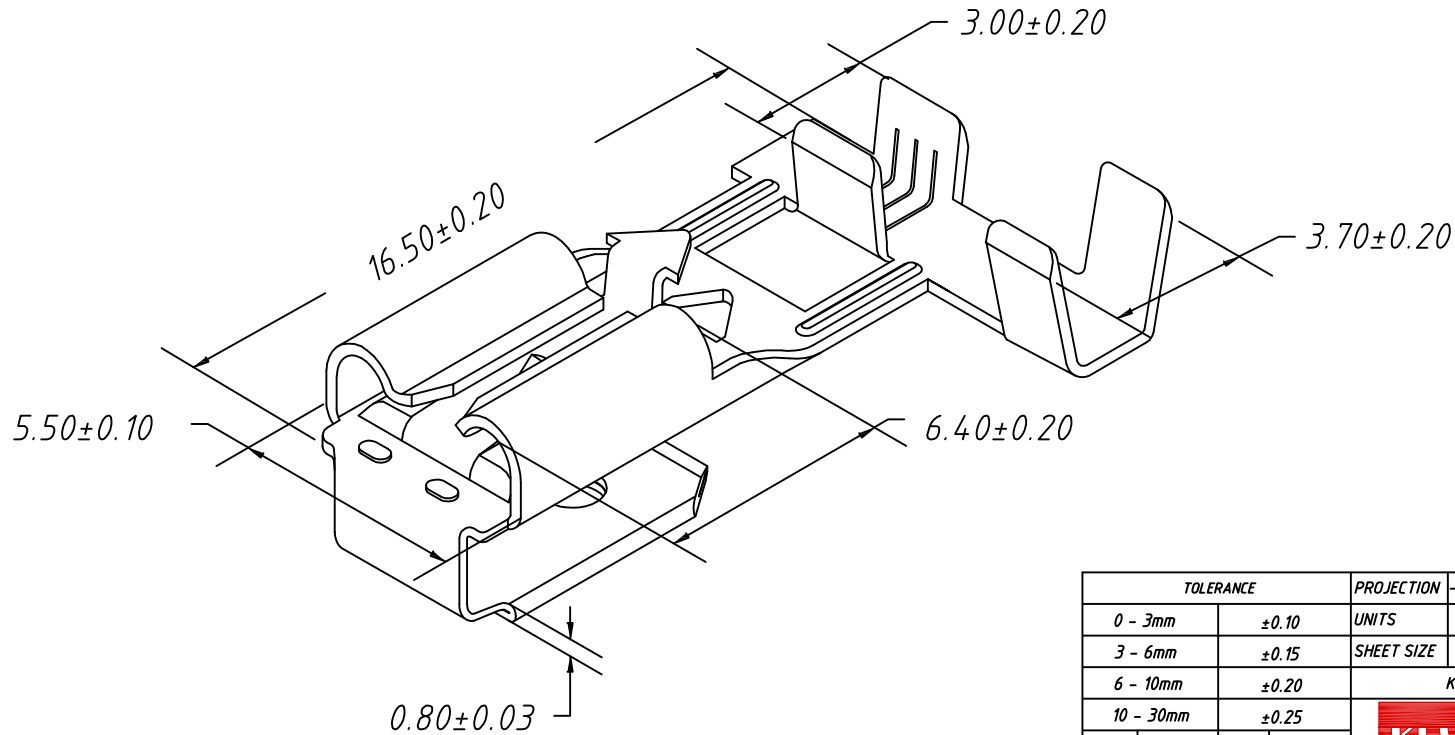
2. Material:


Brass C2680, T=0.40mm, Tin plating

3. Q'TY: 2000PCS/REEL

4. Connectoin Table: W4.75×T0.80mm

5. Wire Range: 18~22AWG



| TOLERANCE | | PROJECTION | Description: |
|---------------|------------------|---|--------------|
| 0 - 3mm | ±0.10 | UNITS | mm |
| 3 - 6mm | ±0.15 | SHEET SIZE | A4 |
| 6 - 10mm | ±0.20 | KLS P/N: KLS8-BFU01-1870800 | |
| 10 - 30mm | ±0.25 | 187 Type FLAG Piggy Back Female TERM. for Cable | |
| Draw: Daniel | ANGLE ±3° |  NingBo KLS ELECTRONIC CO.,L TD. | |
| Check: Daniel | Data: 2019-04-10 | | |