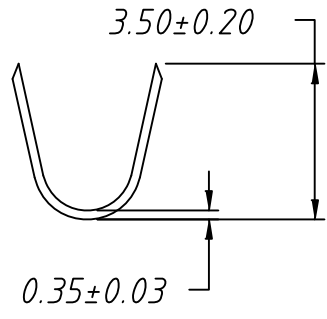
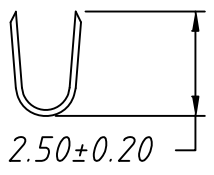
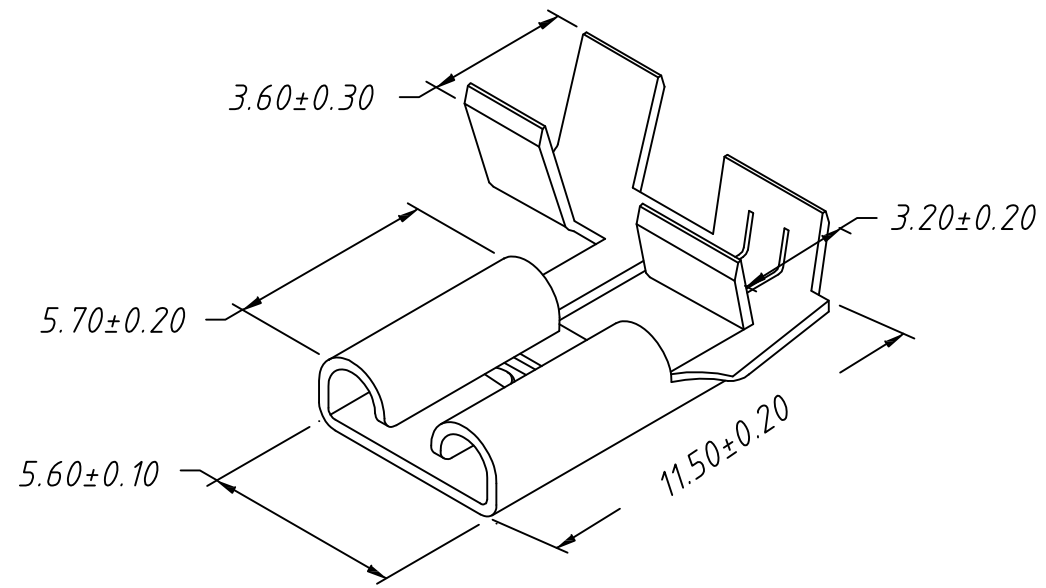



1  
RoHS Compliant



Note:  
 1. Appearance: Terminal cannot be corrected, scratched or oxidized  
 2. Material: Brass C2680, T=0.35mm, Tin plating  
 3. Q'TY: 5000PCS/REEL  
 4. Connectoin Table: See Table  
 5. Wire Range: 18~20AWG



|                      |                  |
|----------------------|------------------|
| P/N                  | Connection Table |
| L-KLS8-BFR04-1870500 | W4.75×T0.5mm     |
| L-KLS8-BFR04-1870800 | W4.75×T0.8mm     |

| TOLERANCE     |                  | PROJECTION  | Description: |
|---------------|------------------|---|--------------|
| 0 - 3mm       | ±0.10            | UNITS   | mm           |
| 3 - 6mm       | ±0.15            | SHEET SIZE  | A4           |
| 6 - 10mm      | ±0.20            | KLS P/N: KLS8-BFR04-1870X00   |              |
| 10 - 30mm     | ±0.25            | 187 Type Flag<br>Female TERM. for Cable   |              |
| Draw: Daniel  | ANGLE ±3°        |  NingBo KLS ELECTRONIC CO.,L TD. |              |
| Check: Daniel | Data: 2019-04-10 |   |              |