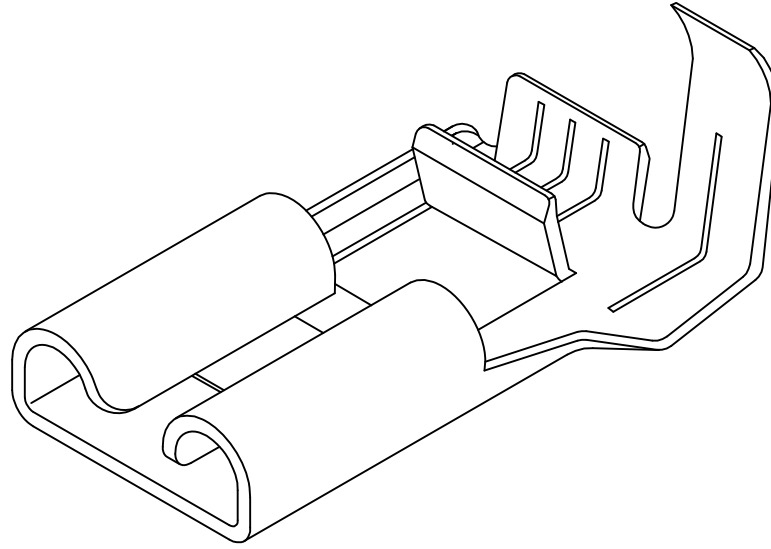
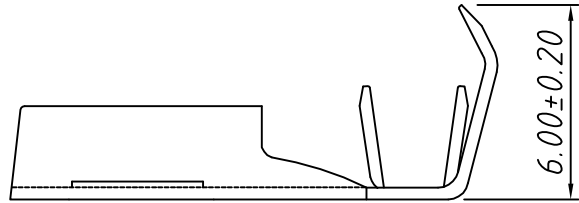


1
RoHS Compliant



Note:

1. Appearance: Terminal cannot be corrected, scratched or oxidized

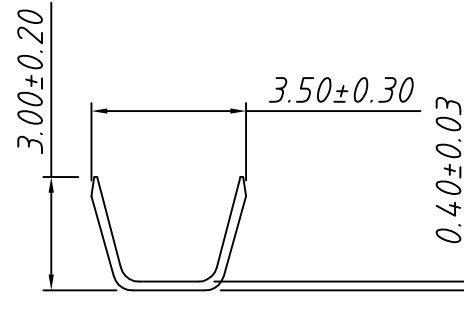
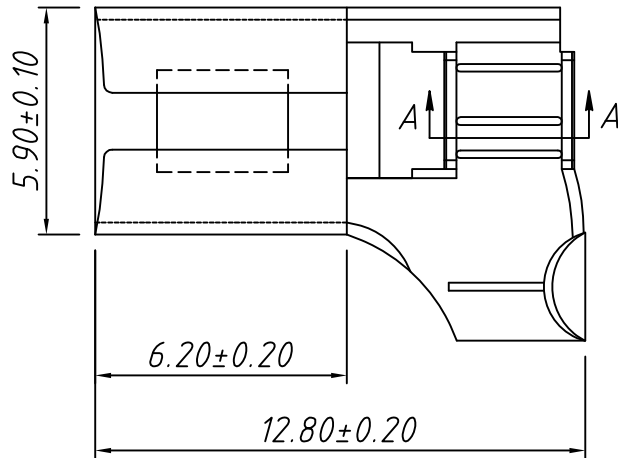
2. Material:

Brass C2680, T=0.40mm, Tin plating

3. Q'TY: 4000PCS/REEL

4. Connectoin Table: W4.75×T0.50mm

5. Wire Range: 18~22AWG



SECTION A-A

TOLERANCE		PROJECTION	Description:
0 - 3mm	±0.10	UNITS	mm
3 - 6mm	±0.15	SHEET SIZE	A4
6 - 10mm	±0.20	KLS P/N: KLS8-BFL03-1870500	
10 - 30mm	±0.25	KLS	
Draw: Daniel	ANGLE ±3°	NingBo KLS ELECTRONIC CO.,L TD.	
Check: Daniel	Data: 2019-04-10		