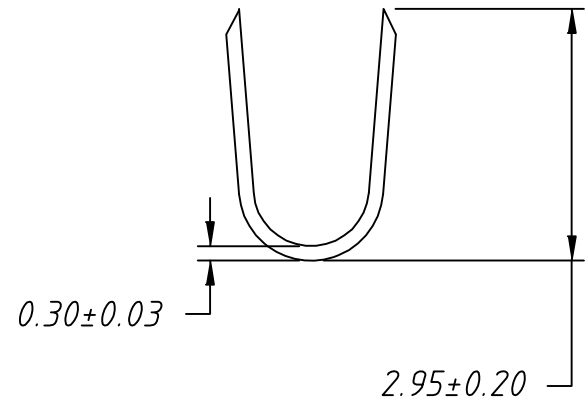
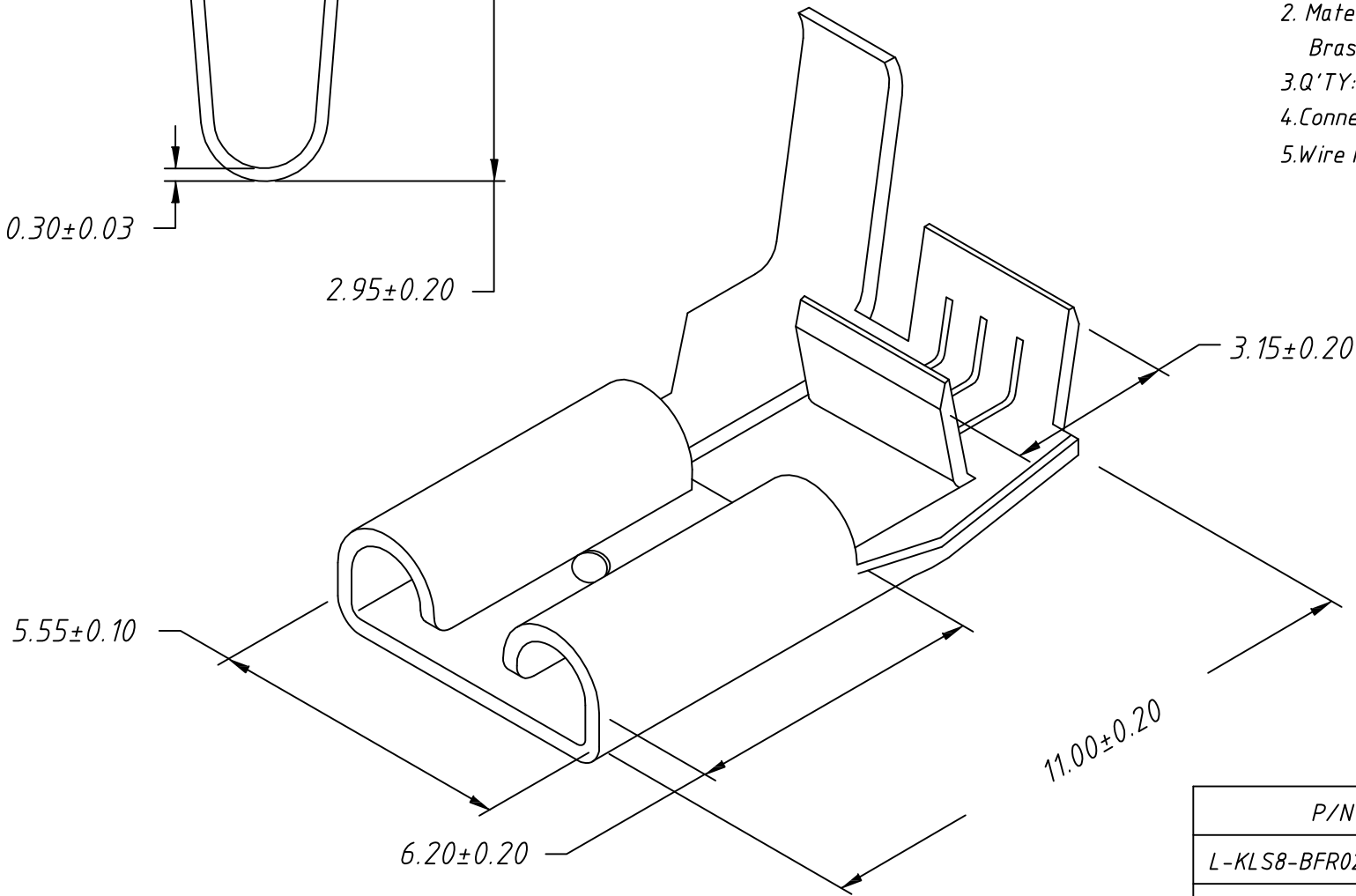


1
RoHS Compliant




Note:
 1. Appearance: Terminal cannot be corrected, scratched or oxidized
 2. Material: Brass C2680, T=0.30mm, Tin plating
 3. Q'TY: 3000PCS/REEL
 4. Connectoin Table: See Table
 5. Wire Range: 18~20AWG



11.00±0.20

P/N	Connection Table
L-KLS8-BFR02-1870500	W4.75×T0.5mm
L-KLS8-BFR02-1870800	W4.75×T0.8mm

TOLERANCE		PROJECTION	Description:
0 - 3mm	±0.10	UNITS	187 Type Flag Female TERM. for Cable
3 - 6mm	±0.15	SHEET SIZE	
6 - 10mm	±0.20	KLS P/N: KLS8-BFR02-1870X00	
10 - 30mm	±0.25		
Draw: Daniel	ANGLE ±3°	 NingBo KLS ELECTRONIC CO.,L TD.	
Check: Daniel	Data: 2019-04-10		