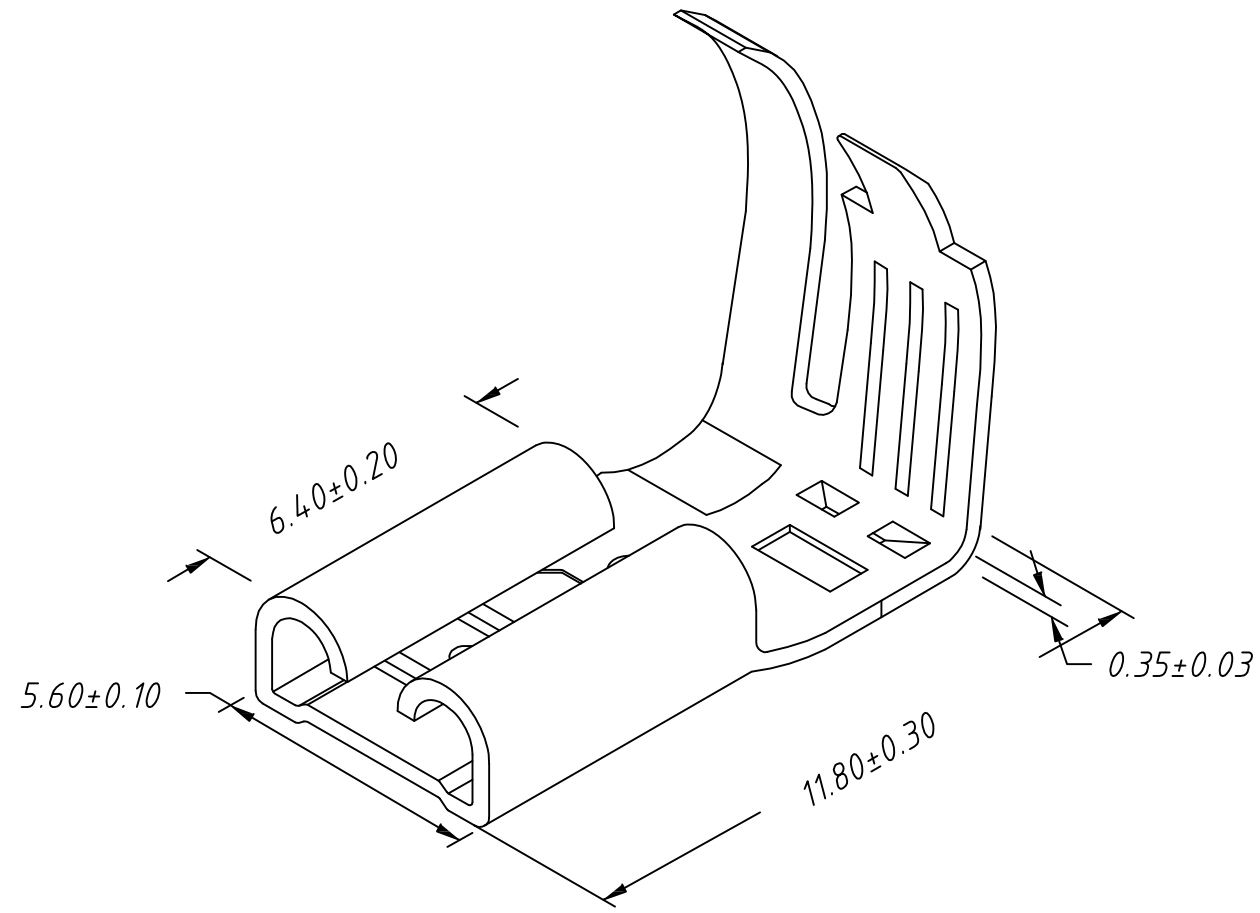



1  
RoHS Compliant

Note:  
 1. Appearance: Terminal cannot be corrected, scratched or oxidized  
 2. Material:  
     Brass C2680, T=0.35mm, Tin plating  
 3. Q'TY: 2500PCS/REEL  
 4. Connectoin Table: See Table  
 5. Wire Range: 18~20AWG



P/N	Connection Table
L-KLS8-BFR01-1870500	W4.75×T0.5mm
L-KLS8-BFR01-1870800	W4.75×T0.8mm

TOLERANCE		PROJECTION	Description:
0 - 3mm	±0.10	UNITS	mm
3 - 6mm	±0.15	SHEET SIZE	A4
6 - 10mm	±0.20	KLS P/N: KLS8-BFR01-1870X00	
10 - 30mm	±0.25	187 Type Flag Female TERM. for Cable	
Draw: Daniel	ANGLE ±3°	 NingBo KLS ELECTRONIC CO.,L TD.	
Check: Daniel	Data: 2019-04-10		