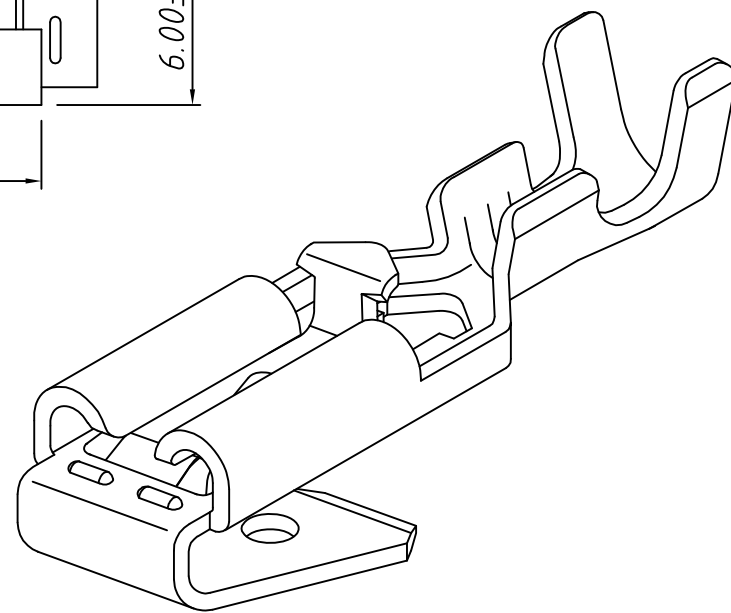
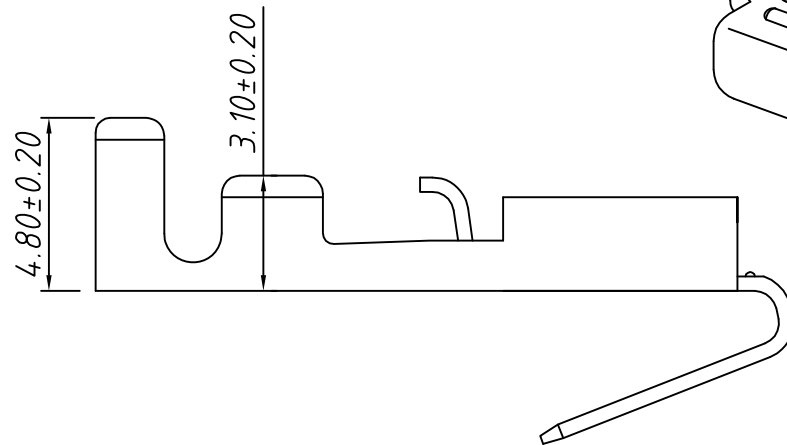
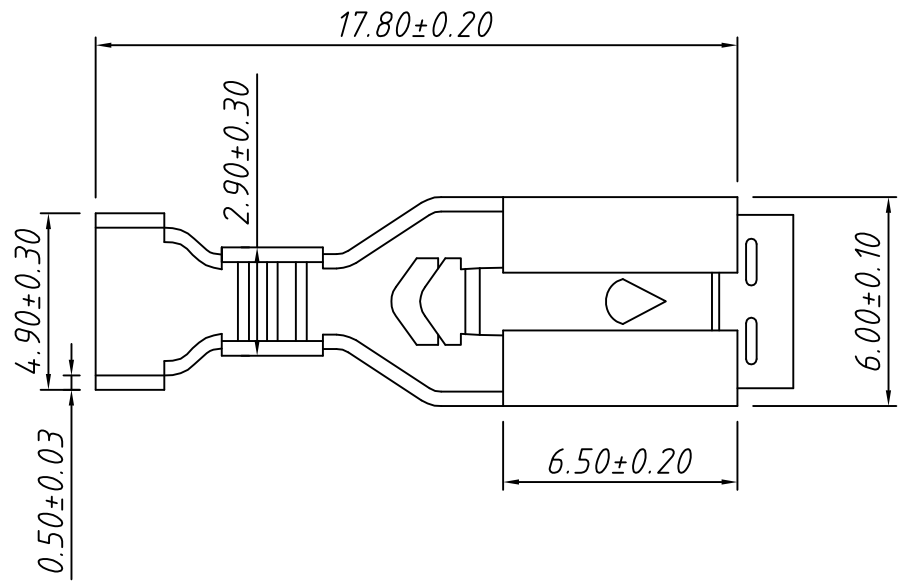



RoHS Compliant



Note:
 1. Appearance: Terminal cannot be corrected, scratched or oxidized
 2. Material: Brass C2680, T=0.50mm, Tin plating
 3. Q'TY: 2000PCS/REEL
 4. Connectoin Table: See Table
 5. Wire Range: 16 ~ 20AWG

P/N	Connection Table
L-KLS8-BFN02-1870500	W4.75×T0.5mm
L-KLS8-BFN02-1870800	W4.75×T0.8mm

TOLERANCE		PROJECTION	Description:
0 - 3mm	±0.10	UNITS	mm
3 - 6mm	±0.15	SHEET SIZE	A4
6 - 10mm	±0.20	KLS P/N: KLS8-BFN02-1870X00	
10 - 30mm	±0.25		
Draw: Daniel	ANGLE ±3°	 NingBo KLS ELECTRONIC CO.,LTD.	
Check: Daniel	Data: 2019-04-10		