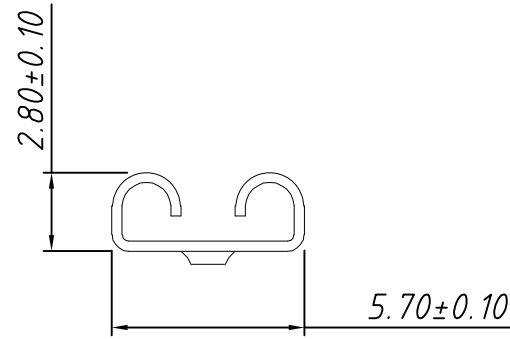
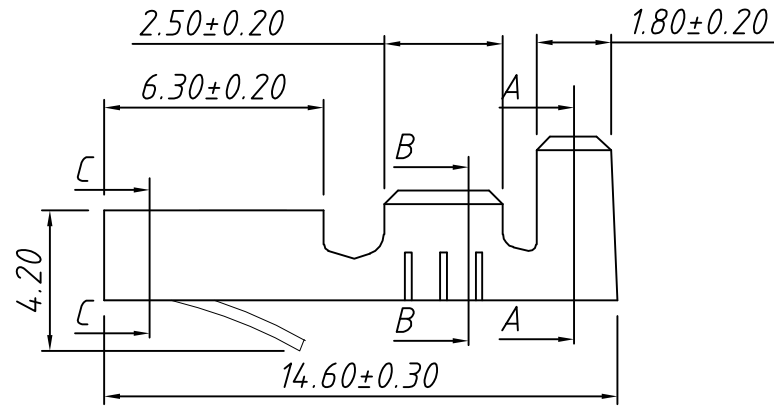
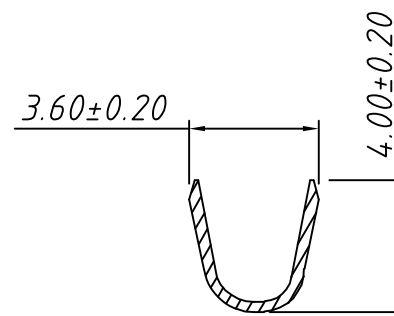
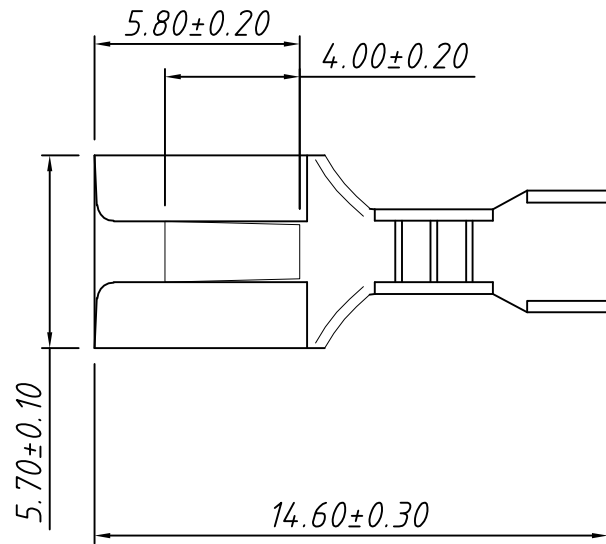


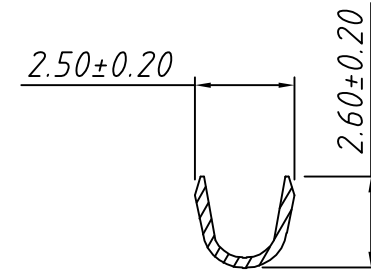
1
RoHS Compliant



SECTION C-C



SECTION A-A



SECTION B-B

Note:

1. Appearance: Terminal cannot be corrected, scratched or oxidized

2. Material:

Brass C2680, T=0.35mm, Tin plating

3. Q'TY: 8000PCS/REEL

4. Connectoin Table: W4.75×T0.5mm

5. Wire Range: 18~20AWG

| TOLERANCE | | PROJECTION | Description: |
|---------------|------------------|---------------------------------|--------------|
| 0 - 3mm | ±0.10 | UNITS | mm |
| 3 - 6mm | ±0.15 | SHEET SIZE | A4 |
| 6 - 10mm | ±0.20 | KLS P/N: KLS8-BFT01-1870500 | |
| 10 - 30mm | ±0.25 | KLS ELECTRONIC | |
| Draw: Daniel | ANGLE ±3° | NingBo KLS ELECTRONIC CO.,L TD. | |
| Check: Daniel | Data: 2019-04-10 | | |