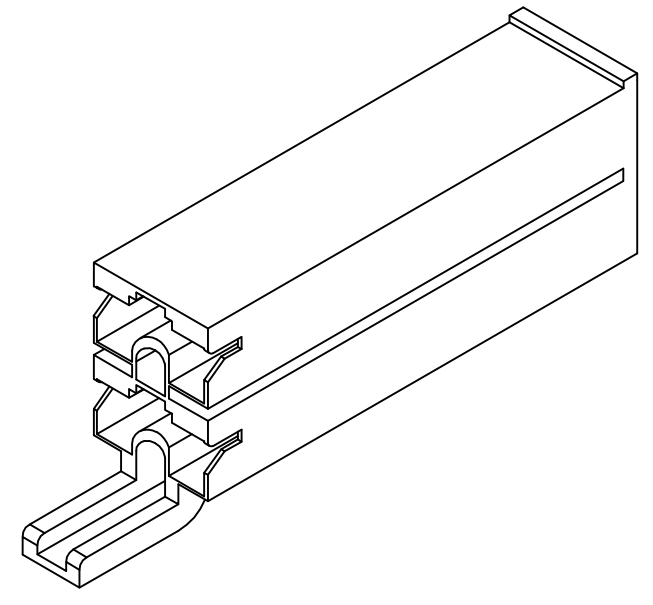
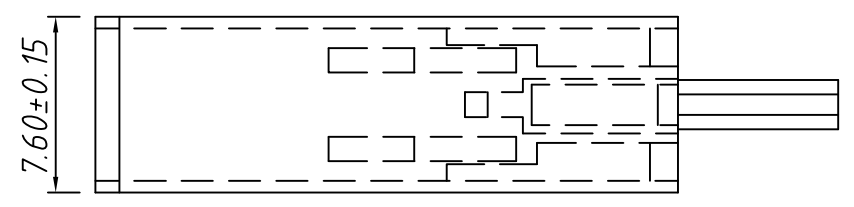
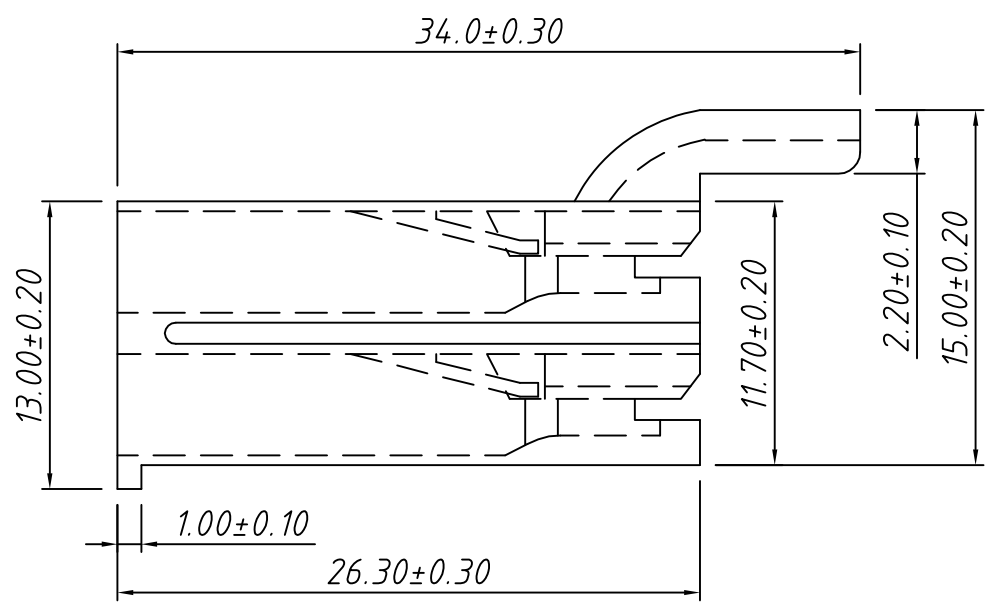



1
RoHS Compliant

Note:
 1. Appearance: Have not impress bubble short of glues; not strange color and impurity.
 2. Material: Nylon UL94V-2, WHITE
 3. Q'TY: 1000PCS/BAG



TOLERANCE		PROJECTION	Description:
0 - 3mm	± 0.10	UNITS	mm
3 - 6mm	± 0.15	SHEET SIZE	A4
6 - 10mm	± 0.20	KLS P/N: KLS8-BDR08-1870009	
10 - 30mm	± 0.25	KLS P/N: KLS8-BDR08-1870009	
Draw:	Daniel	ANGLE	$\pm 3^\circ$
Check:	Daniel	Data:	2019-04-10
		 NingBo KLS ELECTRONIC CO.,L TD.	