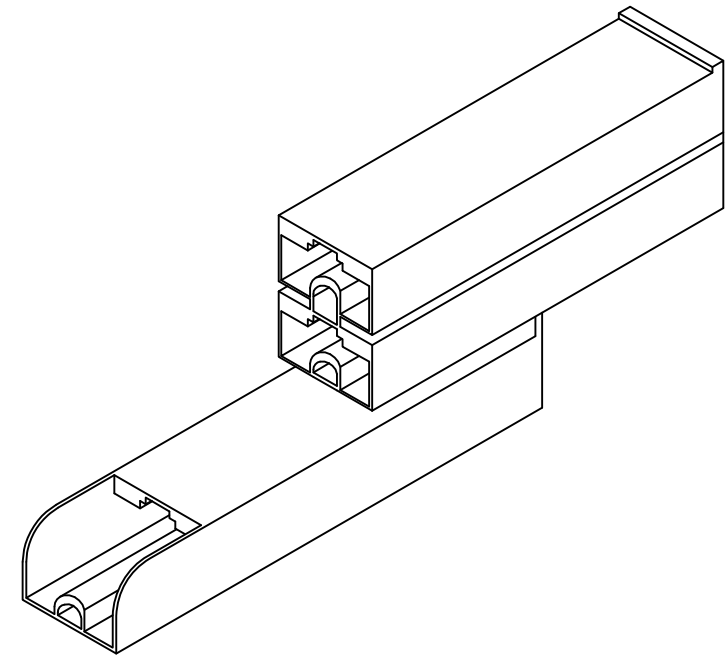
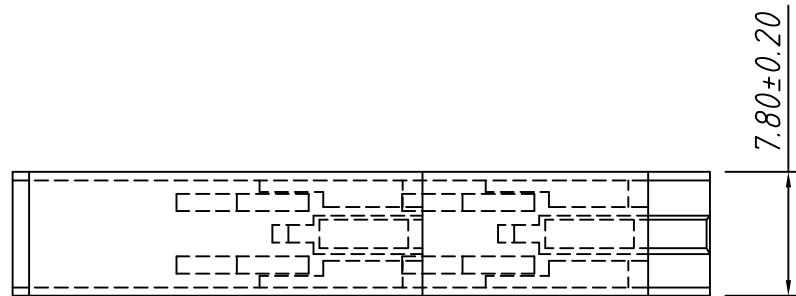
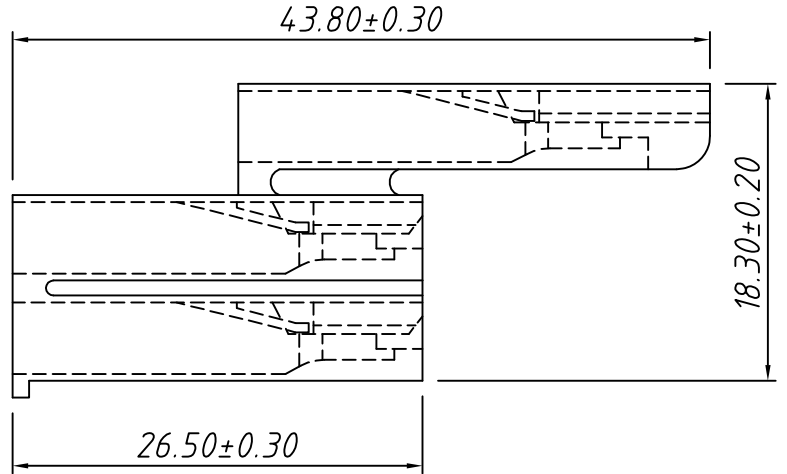



1
RoHS Compliant

Note:
 1. Appearance: Have not impress bubble short of glues; not strange color and impurity.
 2. Material: Nylon UL94V-2, WHITE
 3. Q'TY: 500PCS/BAG



TOLERANCE		PROJECTION	Description:
0 - 3mm	±0.10	UNITS	mm
3 - 6mm	±0.15	SHEET SIZE	A4
6 - 10mm	±0.20	KLS P/N: KLS8-BDR07-1870009	
10 - 30mm	±0.25	187 Type Nylon SLEEVE, for Cable Terminal	
Draw: Daniel	ANGLE	±3°	 NingBo KLS ELECTRONIC CO.,L TD.
Check: Daniel	Date:	2019-04-10	