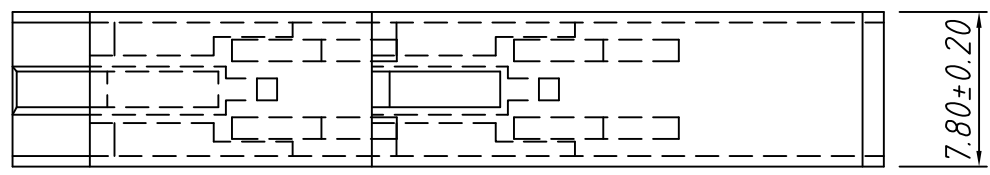
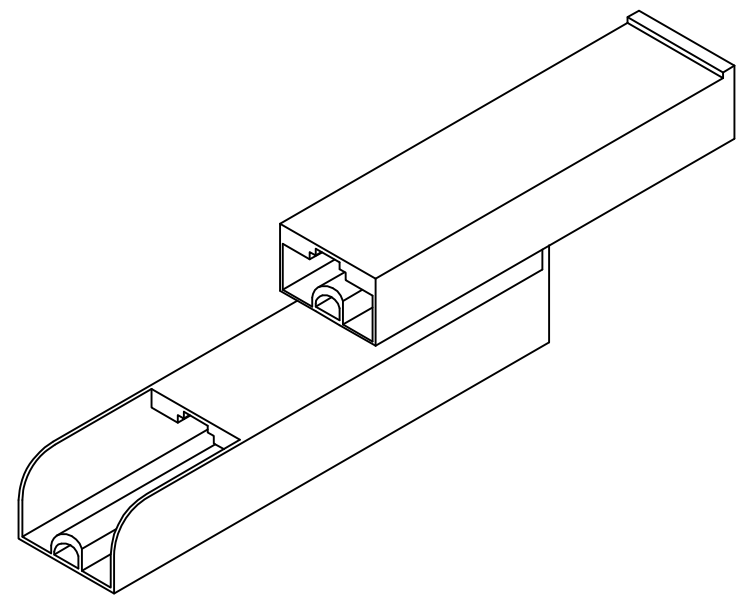
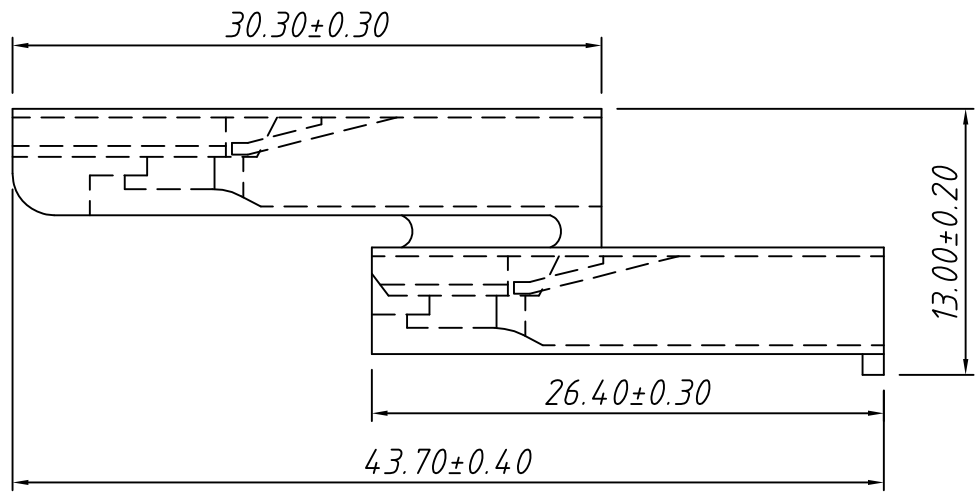


1
RoHS Compliant

Note:
 1. Appearance: Have not impress bubble short of glues; not strange color and impurity.
 2. Material: Nylon UL94V-2, WHITE
 3. Q'TY: 1000PCS/BAG



TOLERANCE		PROJECTION		Description:
0 - 3mm	±0.10	UNITS	mm	187 Type Nylon SLEEVE, for Cable Terminal
3 - 6mm	±0.15	SHEET SIZE	A4	
6 - 10mm	±0.20	KLS P/N:		KLS8-BDR06-1870009
10 - 30mm	±0.25			

Draw: Daniel ANGLE ±3°
 Check: Daniel Data: 2019-04-10

KLS NingBo KLS ELECTRONIC CO.,L TD.