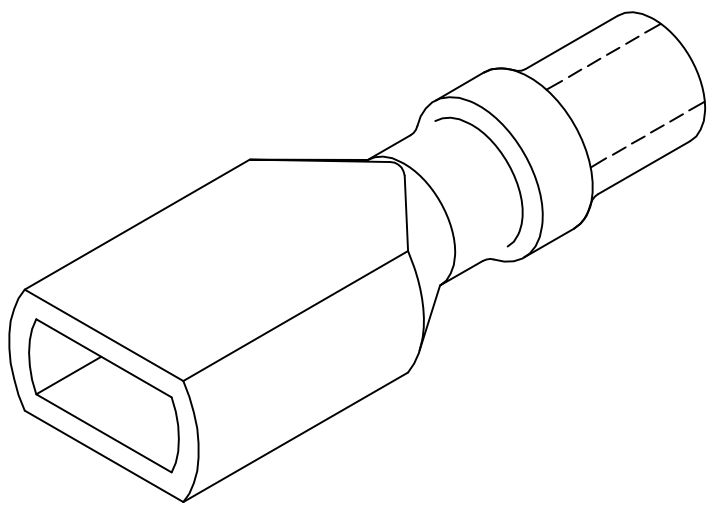
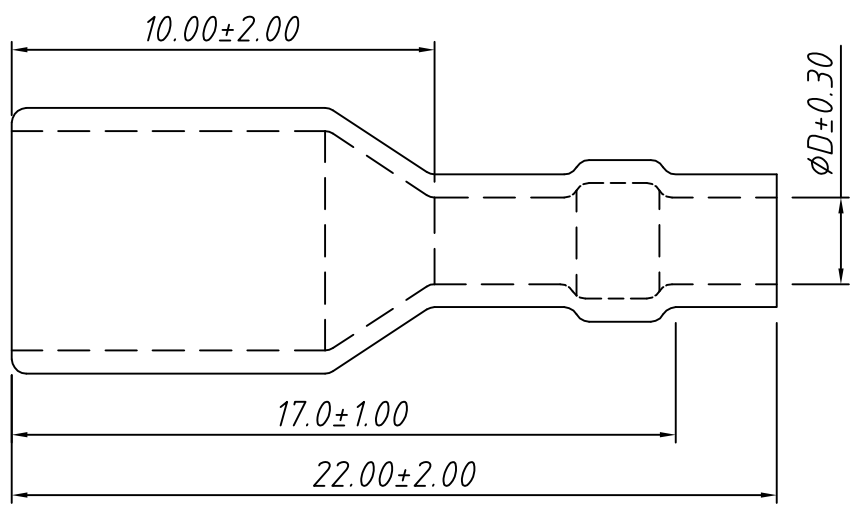
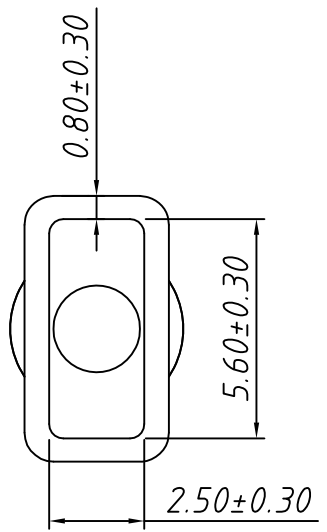



1
RoHS Compliant



Note:
 1. Appearance: Have not impress bubble short of glues; not strange color and impurity.
 2. Material: PVC UL94V-2, Transparent
 3. Q'TY: 2000PCS/BAG
 4. Suitabe Terminal: KLS8-BFE01



P/N	ØD±0.30
L-KLS8-BDR01-1872506	2.5
L-KLS8-BDR01-1873006	3.0
L-KLS8-BDR01-1873506	3.5
L-KLS8-BDR01-1874006	4.0
L-KLS8-BDR01-1874506	4.5

TOLERANCE		PROJECTION	Description:
0 - 3mm	±0.10	UNITS	mm
3 - 6mm	±0.15	SHEET SIZE	A4
6 - 10mm	±0.20	KLS P/N: KLS8-BDR01	
10 - 30mm	±0.25	 NingBo KLS ELECTRONIC CO.,L TD.	
Draw:	Daniel	ANGLE	±3°
Check:	Daniel	Data:	2019-04-10