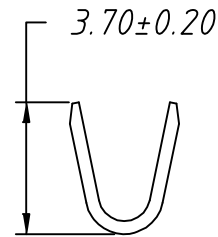
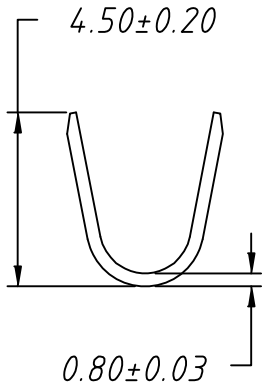
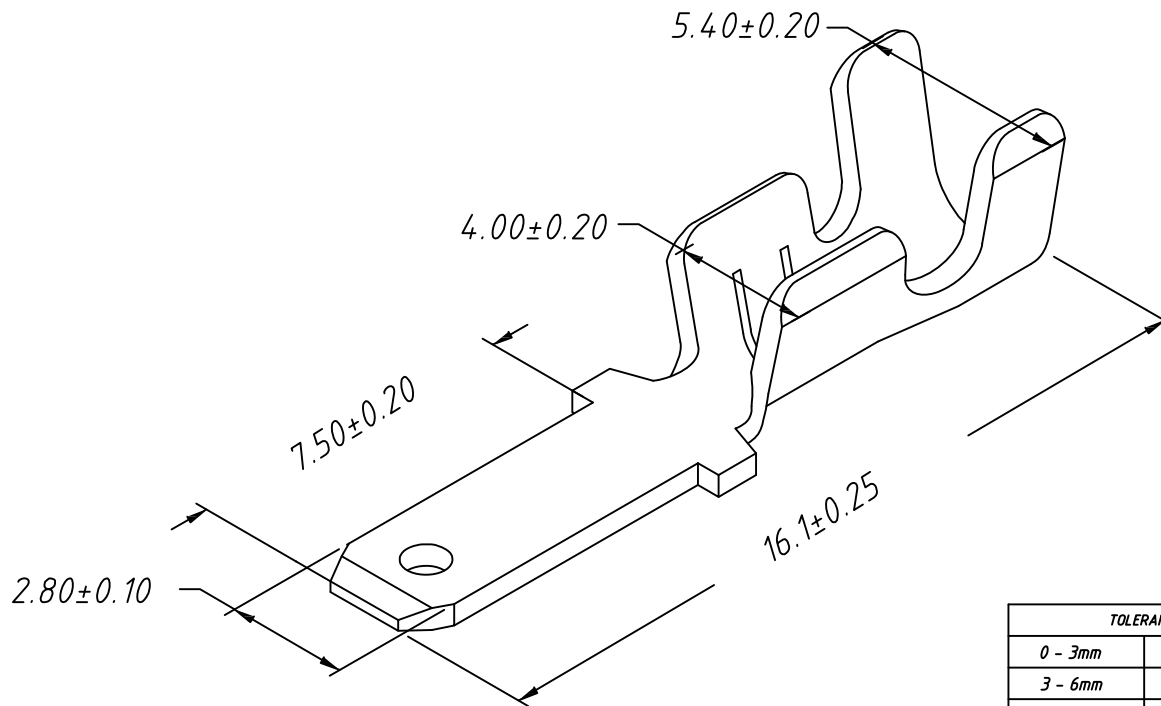


1  
RoHS Compliant



**Note:**

1. Appearance: Terminal cannot be corrected, scratched or oxidized
2. Material: Brass T=0.80mm, Tin plating
3. Q'TY: 5000PCS/REEL
4. Wire Range: 18~22AWG



TOLERANCE		PROJECTION	Description:
0 - 3mm	±0.10	UNITS	mm
3 - 6mm	±0.15	SHEET SIZE	A4
6 - 10mm	±0.20	KLS P/N: KLSB-AMN03-1100800	
10 - 30mm	±0.25	KLS	
Draw: Daniel	ANGLE	±3°	NingBo KLS ELECTRONIC CO.,L TD.
Check: Daniel	Data:	2019-04-10	