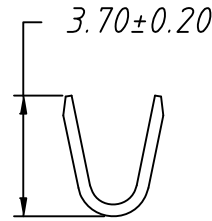
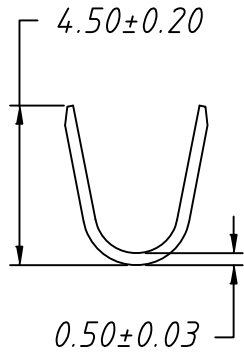


1
RoHS Compliant



Note:

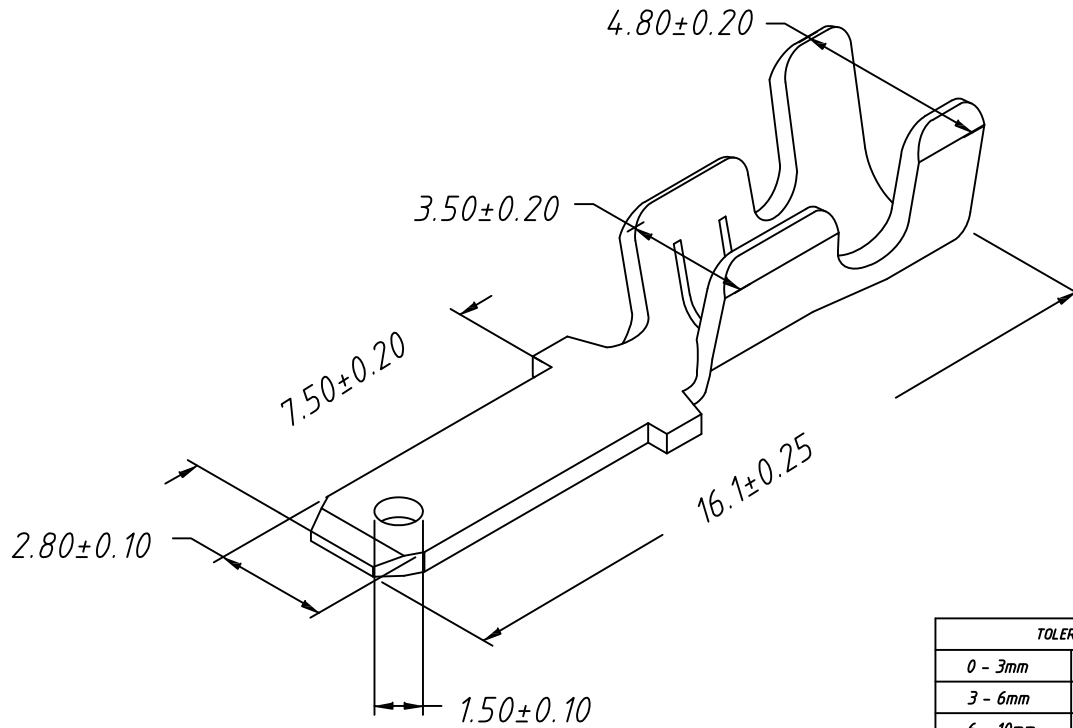
1. Appearance: Terminal cannot be corrected, scratched or oxidized

2. Material:

Brass T=0.50mm, Tin plating

3. Q'TY: 5000PCS/REEL

4. Wire Range: 16~20AWG



TOLERANCE		PROJECTION	Description:
0 - 3mm	±0.10	UNITS	mm
3 - 6mm	±0.15	SHEET SIZE	A4
6 - 10mm	±0.20	KLS P/N: KLSB-AMN02-1100500	
10 - 30mm	±0.25	KLS ELECTRONIC	
Draw:	Daniel	ANGLE	±3°
Check:	Daniel	Data:	2019-04-10

NingBo KLS ELECTRONIC CO.,L TD.