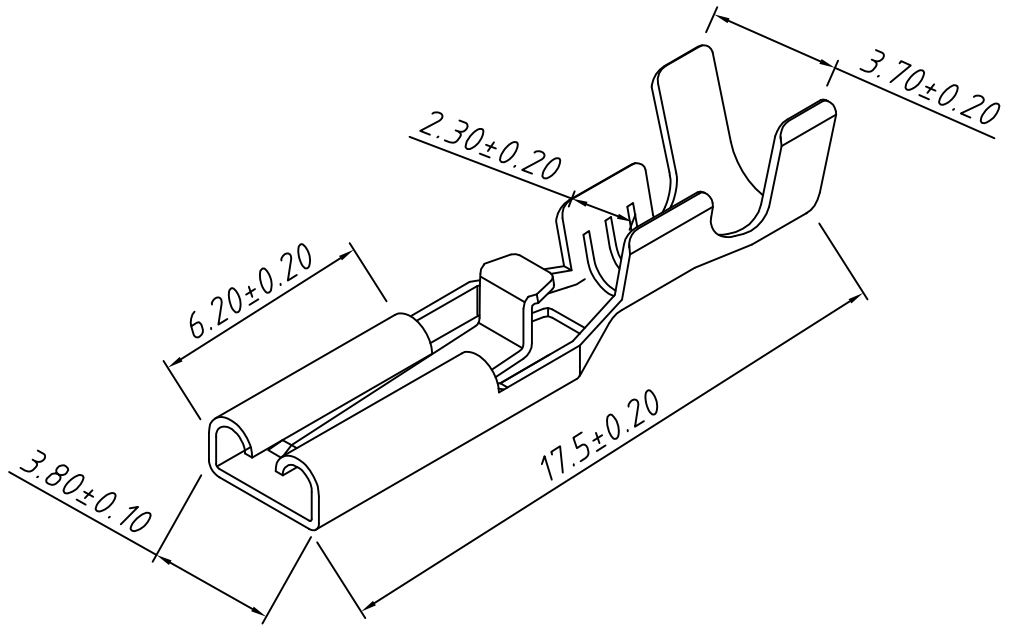
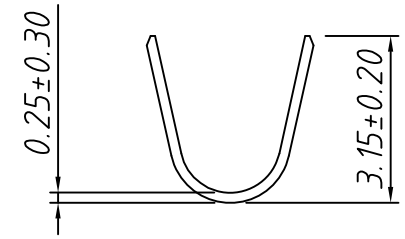
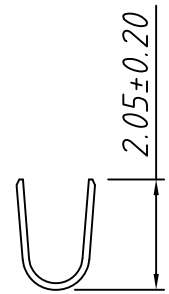


1  
RoHS Compliant



Note:  
 1. Appearance: Terminal cannot be corrected, scratched or oxidized  
 2. Material: Brass C2680, T=0.25mm, Tin plating  
 3. Q'TY: 10000PCS/REEL  
 4. Connectoin Table: W2.8×T0.8mm  
 5. Wire Range: 18~22AWG

TOLERANCE		PROJECTION	Description:
0 - 3mm	±0.10	UNITS	mm
3 - 6mm	±0.15	SHEET SIZE	A4
6 - 10mm	±0.20	KLS P/N: KLSB-ALS03-1100800	
10 - 30mm	±0.25	NingBo KLS ELECTRONIC CO.,L TD.	
Draw:	Daniel	ANGLE	±3°
Check:	Daniel	Data:	2019-04-10