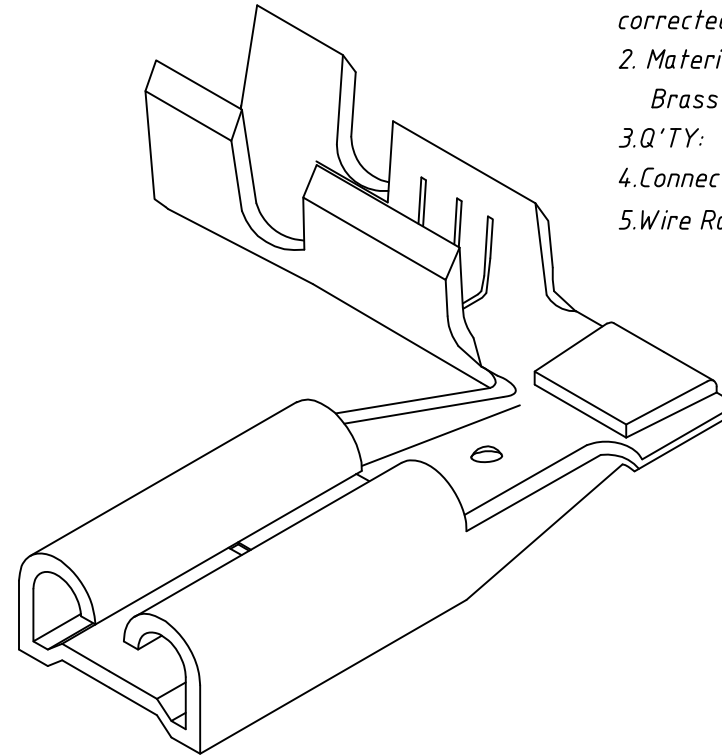
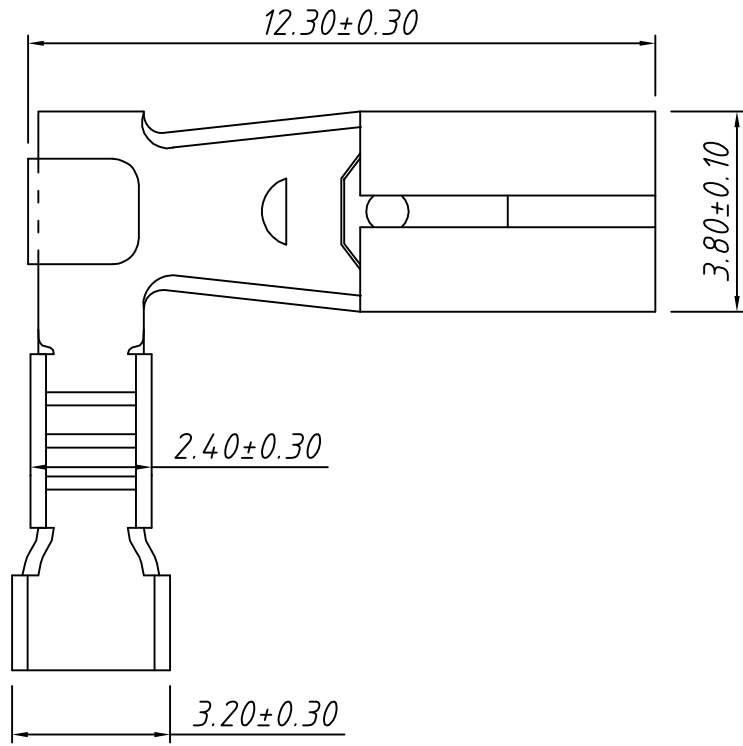
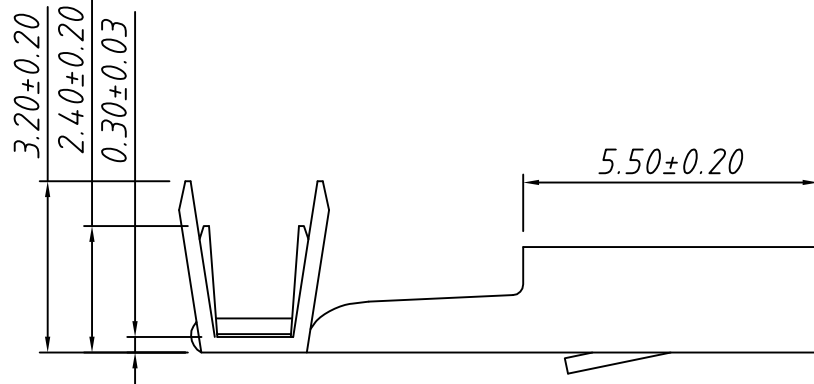


1
RoHS Compliant




Note:

1. Appearance: Terminal cannot be corrected, scratched or oxidized
2. Material: Brass C2680, T=0.30mm, Tin plating
3. Q'TY: 10000PCS/REEL
4. Connectoin Table: W2.8×T0.4mm
5. Wire Range: 20~22AWG



TOLERANCE		PROJECTION	Description:
0 - 3mm	± 0.10	UNITS	mm
3 - 6mm	± 0.15	SHEET SIZE	A4
6 - 10mm	± 0.20	KLS P/N: KLSB-AFR04-1100400	
10 - 30mm	± 0.25		
Draw:	Daniel	ANGLE	$\pm 3^\circ$
Check:	Daniel	Data:	2019-04-10


NingBo KLS ELECTRONIC CO.,L TD.