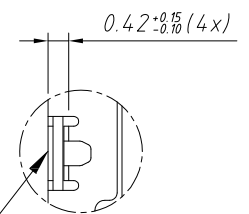
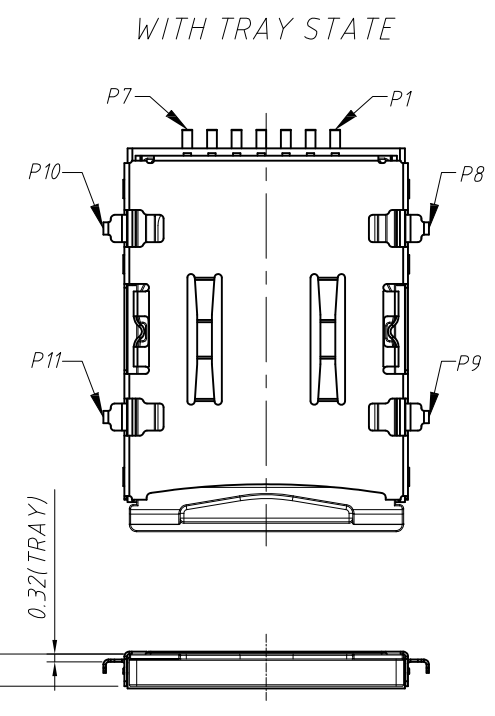
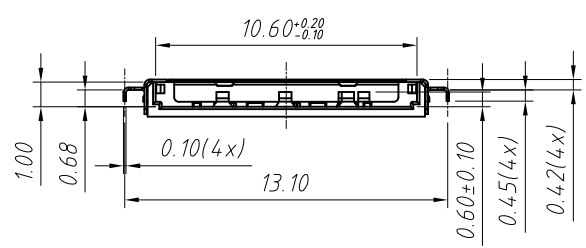


DETAIL A
SCALE 2:1



METAL SURFACE
DETAIL B
SCALE 2:1



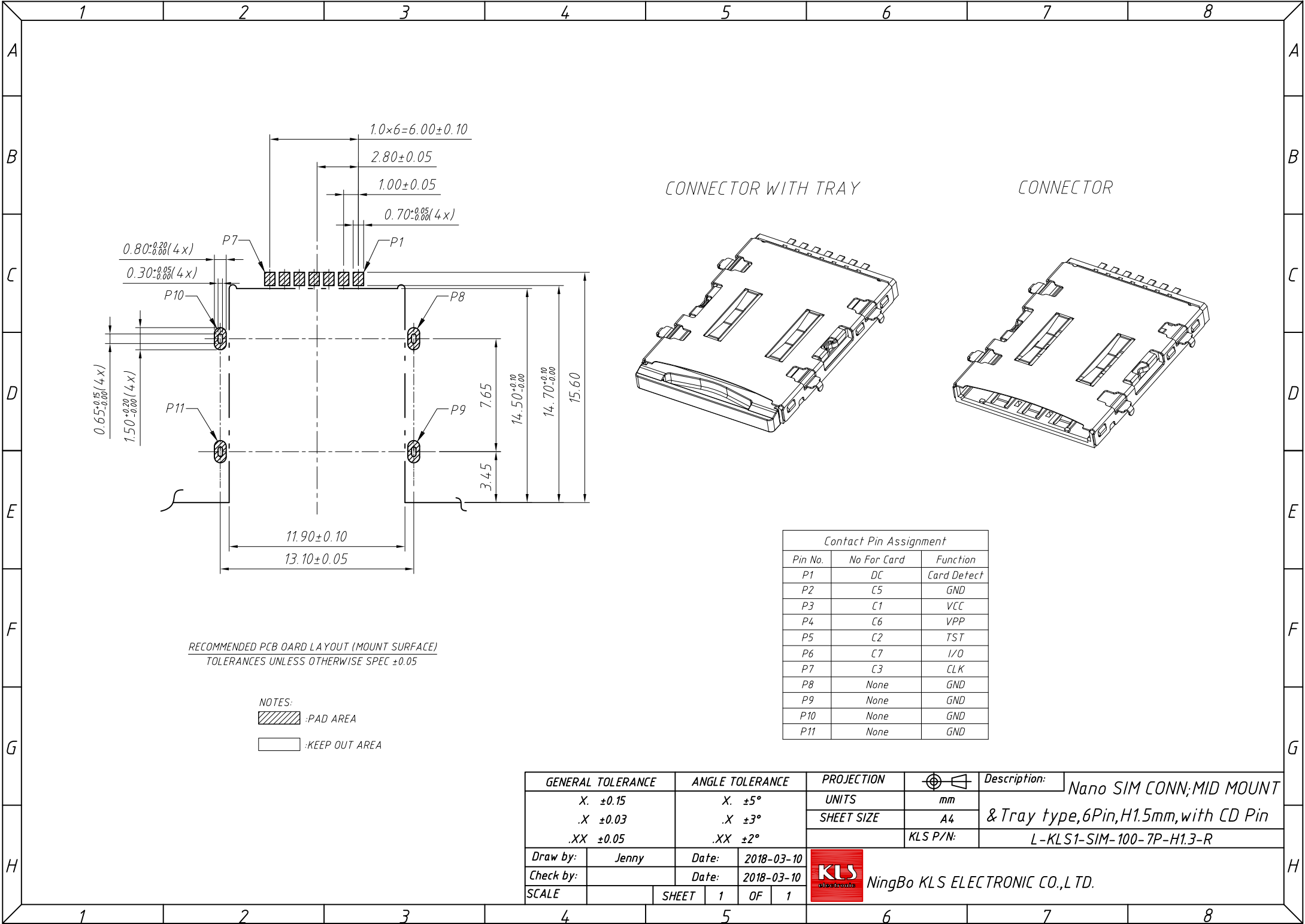
Material:
 Plastics:LCP,UL 94V-0.Black.
 Contact:C5210
 Shell:SUS304
 Tray:LCP,UL 94V-0.Black.

Plating:
 Contact:Contact Area:G/F Plating;Soldertail
 Area:80u" Matte Tin
 Shell:Plating over 30u" Ni
 Solderable 30u" Ni Plating over all.
 Contact and tail coplanarity to be 0.10mm all.

OPEN/CLOS OF SWITCH:

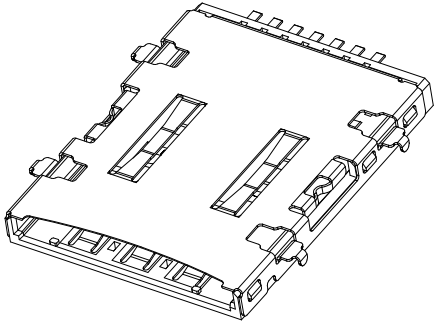
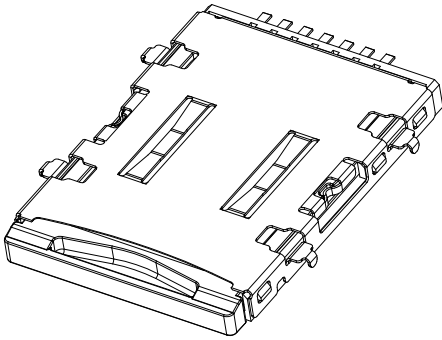
DETECT SWITCH FOR CARD	
CARD UNINSERTION	OPEN \downarrow P2 \swarrow P1
CARD INSERTION	CLOSE \downarrow P2 \swarrow P1
N/O	\downarrow P2 \swarrow P1

GENERAL TOLERANCE	ANGLE TOLERANCE	PROJECTION	Description:
X. ± 0.15	X. $\pm 5^\circ$	UNITS	Nano SIM CONN;MID MOUNT & Tray type,6Pin,H1.5mm,with CD Pin L-KLS1-SIM-100-7P-H1.3-R
.X ± 0.03	.X $\pm 3^\circ$	SHEET SIZE	
.XX ± 0.05	.XX $\pm 2^\circ$	KLS P/N:	
Draw by: Jenny	Date: 2018-03-10	 NingBo KLS ELECTRONIC CO.,L TD.	
Check by:	Date: 2018-03-10		
SCALE	SHEET 1 OF 1		



CONNECTOR WITH TRAY

CONNECTOR



RECOMMENDED PCB BOARD LAYOUT (MOUNT SURFACE)
TOLERANCES UNLESS OTHERWISE SPEC ±0.05

NOTES:

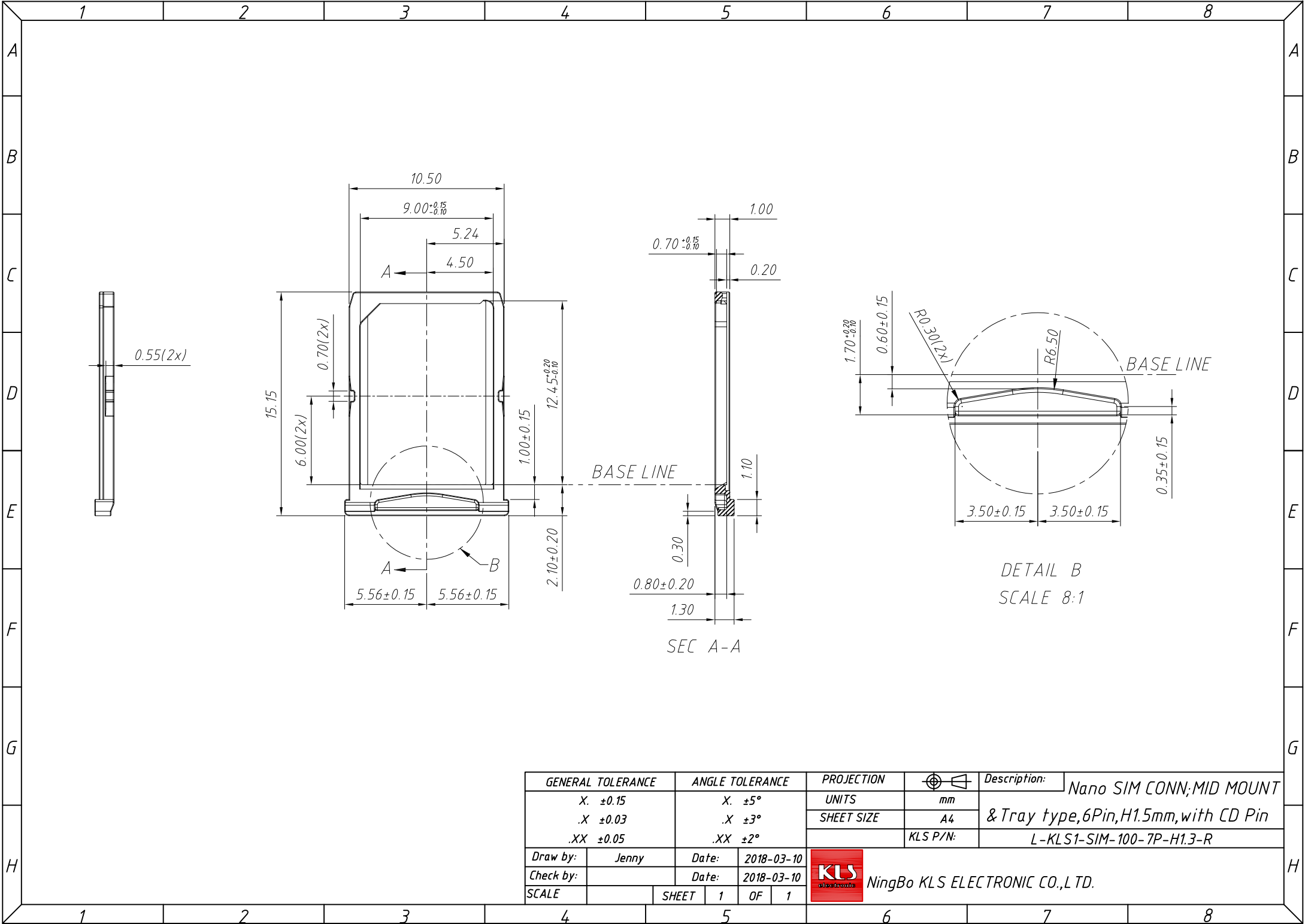
:PAD AREA

:KEEP OUT AREA

Contact Pin Assignment

Pin No.	No For Card	Function
P1	DC	Card Detect
P2	C5	GND
P3	C1	VCC
P4	C6	VPP
P5	C2	TST
P6	C7	I/O
P7	C3	CLK
P8	None	GND
P9	None	GND
P10	None	GND
P11	None	GND

GENERAL TOLERANCE		ANGLE TOLERANCE		PROJECTION		Description:
X	±0.15	X	±5°	UNITS	mm	Nano SIM CONN;MID MOUNT & Tray type,6Pin,H1.5mm,with CD Pin L-KLS1-SIM-100-7P-H1.3-R
.X	±0.03	.X	±3°	SHEET SIZE	A4	
.XX	±0.05	.XX	±2°		KLS P/N:	
Draw by:	Jenny	Date:	2018-03-10	NingBo KLS ELECTRONIC CO.,L TD.		
Check by:		Date:	2018-03-10			
SCALE		SHEET	1 OF 1			



GENERAL TOLERANCE		ANGLE TOLERANCE		PROJECTION			Description:
.X	±0.15	.X	±5°	UNITS			mm
.X	±0.03	.X	±3°	SHEET SIZE			A4
.XX	±0.05	.XX	±2°			KLS P/N:	L-KLS1-SIM-100-7P-H1.3-R
Draw by:	Jenny	Date:	2018-03-10			NingBo KLS ELECTRONIC CO.,LTD.	
Check by:		Date:	2018-03-10				
SCALE		SHEET	1	OF	1		