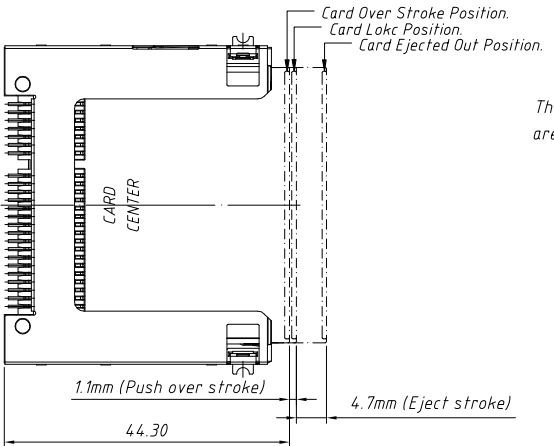
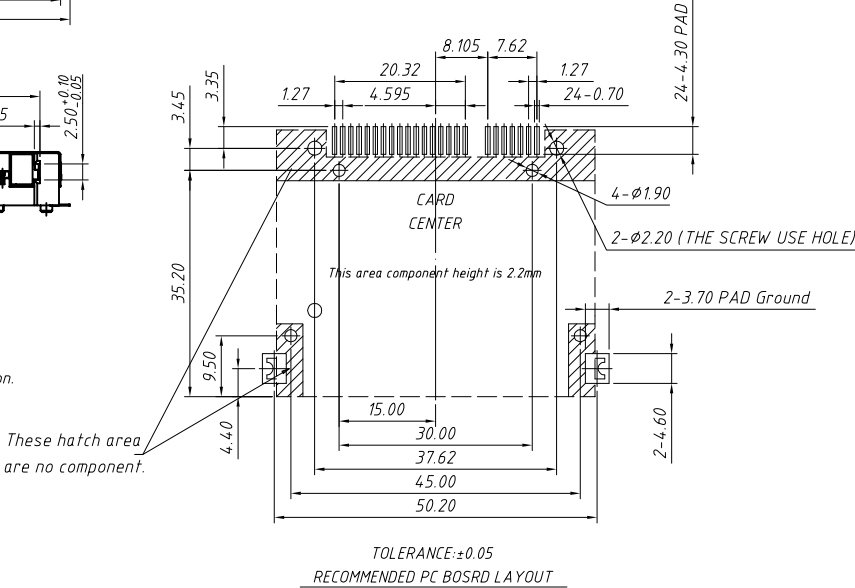


Material:
 Housing: Engineering plastic, LCP with G.F reinforced, black per UL 94 V-0 rate.
 Slider: Engineering plastic, LCP with G.F reinforced, black per UL 94 V-0 rate.
 Terminal: Phosphor Bronze, per JIS 5210, 0.2t.
 Spring: Piano thread.
 Metal cover: Stainless steel sheet SUS304 0.2t.
 Crank: Stainless rod SUS 304.
 Card lock: Stainless rod SUS 304.
Plating:
 Solder zone: 100u" matte Tin, 50u" min. Nickel underplating over all.
 Operating Temperature: -40°C TO +85°C



GENERAL TOLERANCE		ANGLE TOLERANCE		PROJECTION	Description:	
X	±0.15	X	±5°	UNITS	CFast Host Conn, PUSH/ PUSH H8.35, LOCK type L-KLS1-CFA-003A-H8.35	
.X	±0.03	.X	±3°	SHEET SIZE		A4
.XX	±0.05	.XX	±2°	KLS P/N:		
Draw by:	Jenny	Date:	2018-03-10	 NingBo KLS ELECTRONIC CO.,L TD.		
Check by:		Date:	2018-03-10			
SCALE		SHEET	1 OF 1			