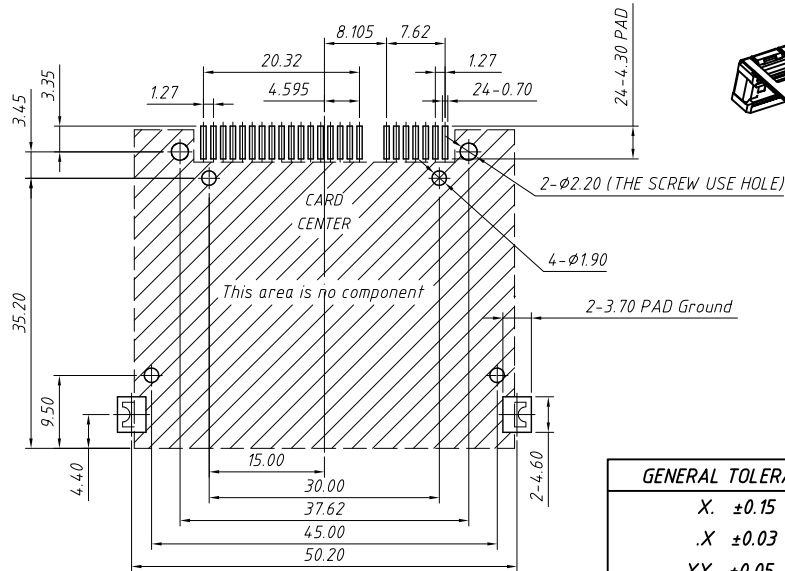
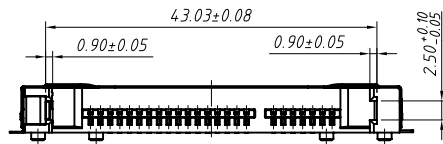
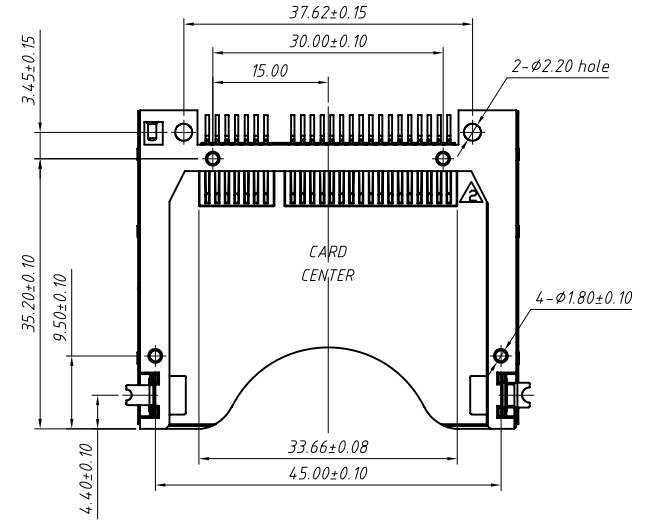
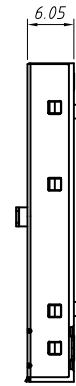
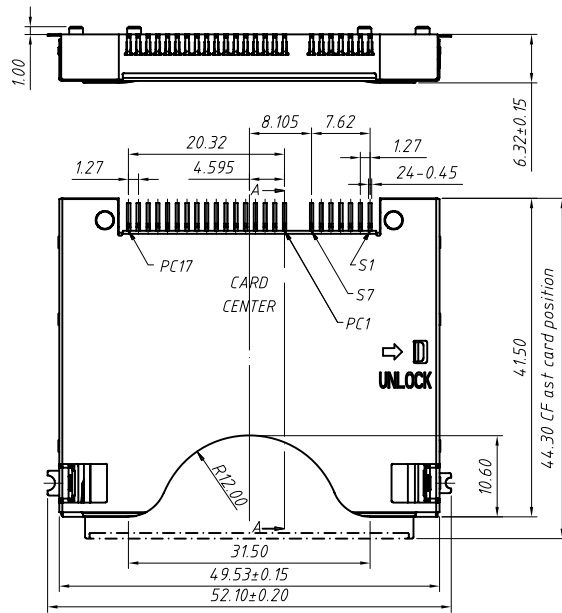
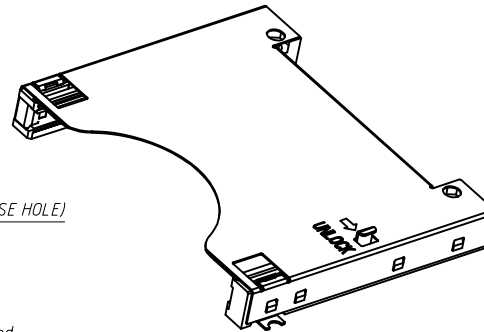


Section view A-A



TOLERANCE:±0.05  
RECOMMENDED PC BOSRD LAYOUT



Material:

Housing:Engineering plastic,LCP with G.F reinforced,black per UL 94 V-0 rate.


Terminal:Phosphor Bronze,per JIS 5210,0.2t.

Metal cover:Stainless steel sheet SUS304 0.2t.

Plating:

Solder zone:100u" matte Tin,50u" min.Nickel underplating over all.

Operating Temperature:-40°C TO +85°C

GENERAL TOLERANCE		ANGLE TOLERANCE		PROJECTION	Description:
X	±0.15	X	±5°	UNITS	mm
.X	±0.03	.X	±3°	SHEET SIZE	A4
.XX	±0.05	.XX	±2°	KLS P/N:	L-KLS1-CFA-002B-H6.05
Draw by:	Jenny	Date:	2018-03-10	 NingBo KLS ELECTRONIC CO.,L TD.	
Check by:		Date:	2018-03-10		
SCALE		SHEET	1 OF 1		