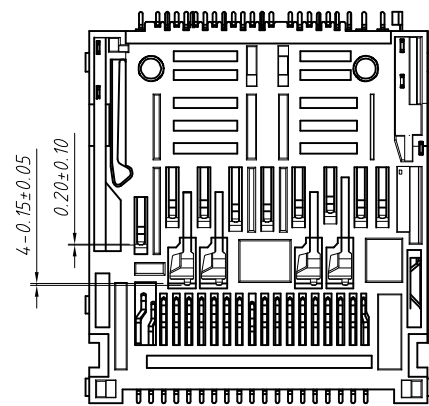
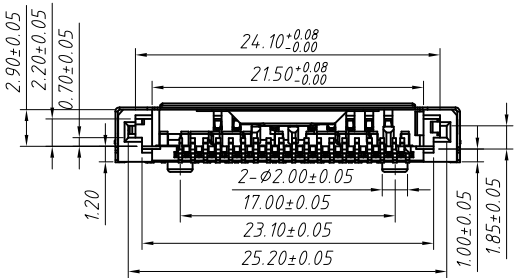


**Material:**  
 Insulator: Hi-Temperature Plastic, UL 94 V-0, Black.  
 Terminal: Copper Alloy, Selective gold flash plating on contact area, and 50u" min nickel underplated on allover.  
 Shell: Stainless Steel, 50u" nickel underplated on allover, gold flash on solder pad.

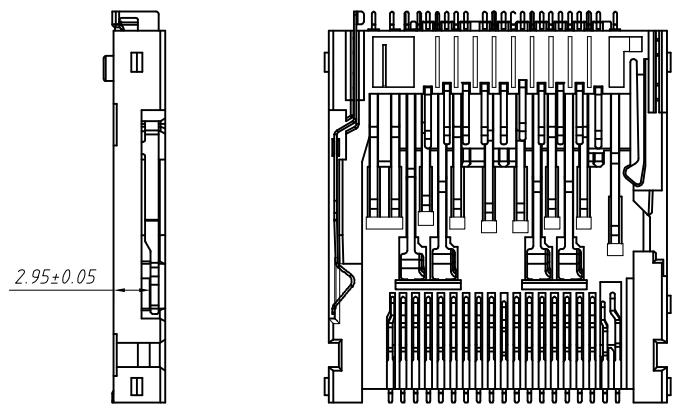
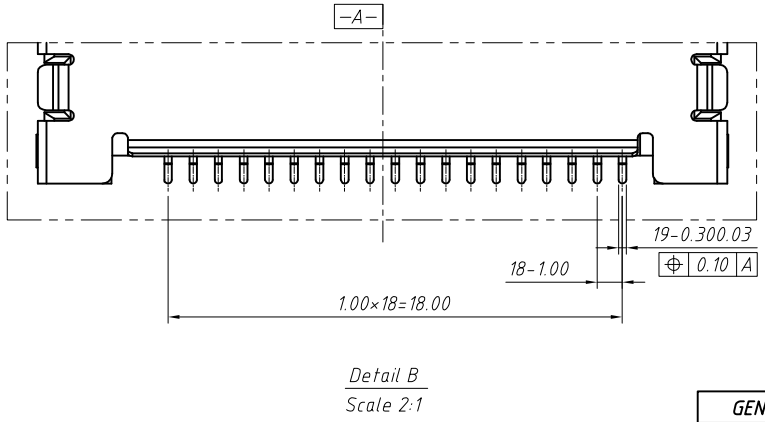
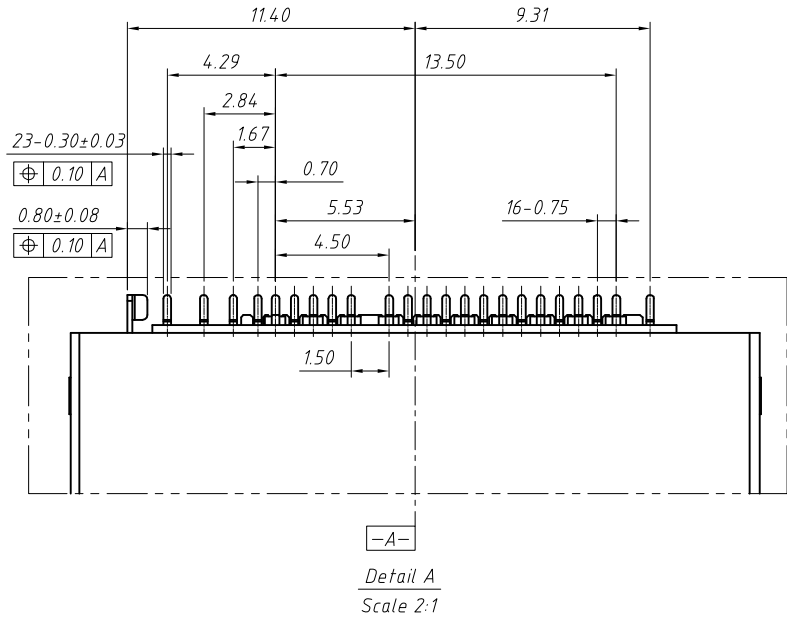
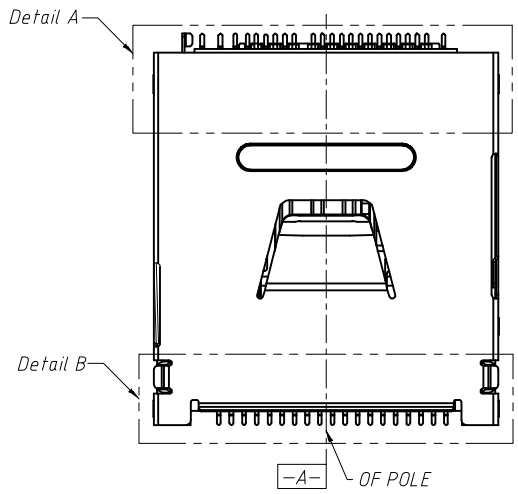
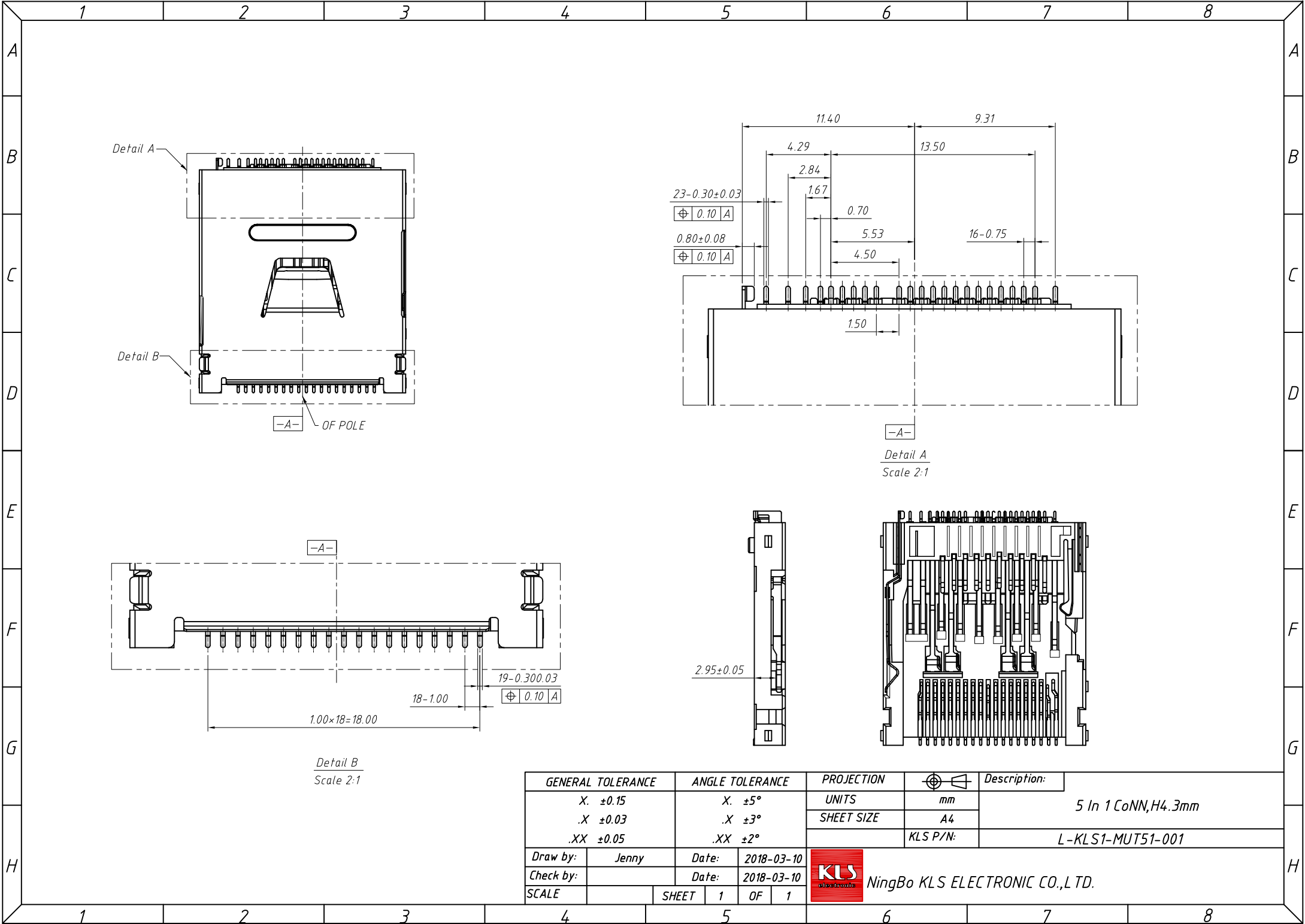
**Electrical:**  
 Insulation Resistance: 1000MΩ Min./500V DC  
 Withstanding Voltage: 250V AC/minute.  
 Contact Resistance: 100mΩ Max. AT 10mA/20mV Max  
 Current Rating: 0.5 A  
 Voltage Rating: 5.0 vrms  
 Operating Temp Range: -40°C TO +85°C  
 Mating Cycles: 10000 Insertions.



GENERAL TOLERANCE		ANGLE TOLERANCE		PROJECTION	Description:
X. ±0.15	X. ±5°	UNITS		mm	
.X ±0.03		SHEET SIZE		A4	
.XX ±0.05		KLS P/N:		L-KLS1-MUT51-001	

Draw by: Jenny Date: 2018-03-10  
 Check by: Date: 2018-03-10  
 SCALE SHEET 1 OF 1

**KLS** NingBo KLS ELECTRONIC CO.,L TD.



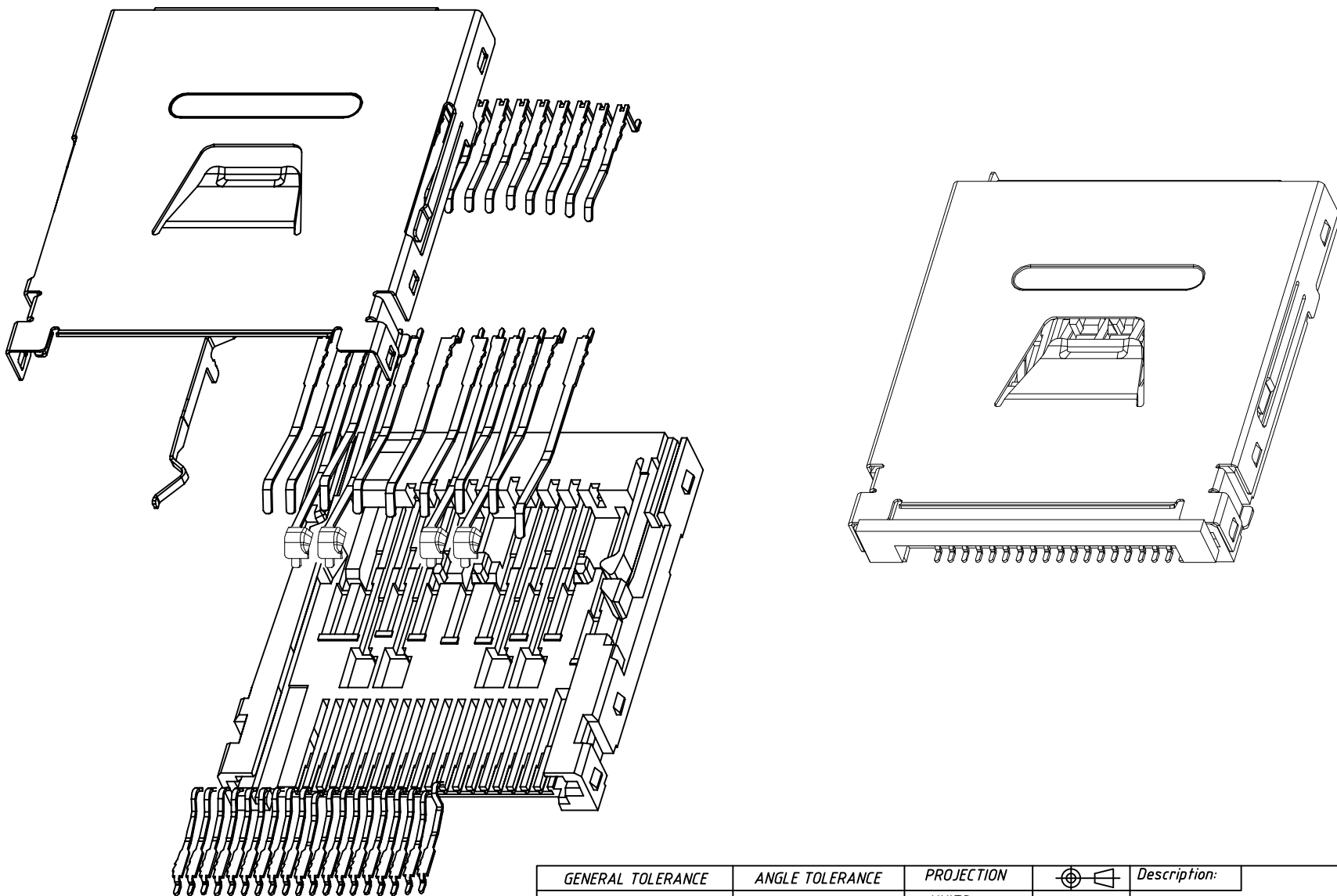
GENERAL TOLERANCE		ANGLE TOLERANCE		PROJECTION	Description:
.X	±0.15	.X	±5°	UNITS	mm
.X	±0.03	.X	±3°	SHEET SIZE	A4
.XX	±0.05	.XX	±2°	KLS P/N:	L-KLS1-MUT51-001

Draw by: Jenny Date: 2018-03-10

Check by: Date: 2018-03-10

SCALE SHEET 1 OF 1

**KLS** NingBo KLS ELECTRONIC CO.,LTD.

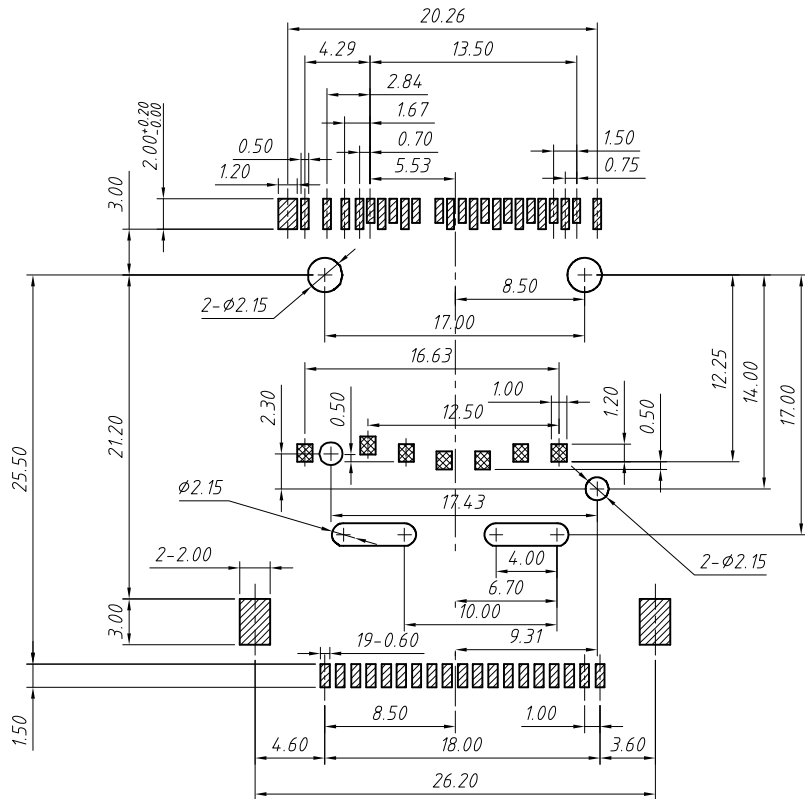


GENERAL TOLERANCE		ANGLE TOLERANCE		PROJECTION	Description:
X.	±0.15	X.	±5°	UNITS	
.X	±0.03	.X	±3°	SHEET SIZE	A4
.XX	±0.05	.XX	±2°	KLS P/N:	L-KLS1-MUT51-001

Draw by:	Jenny	Date:	2018-03-10
Check by:		Date:	2018-03-10
SCALE		SHEET	1 OF 1



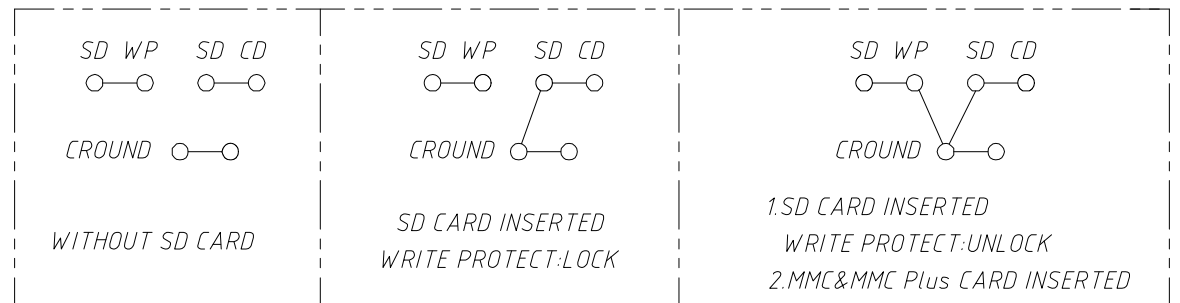
NingBo KLS ELECTRONIC CO.,L TD.



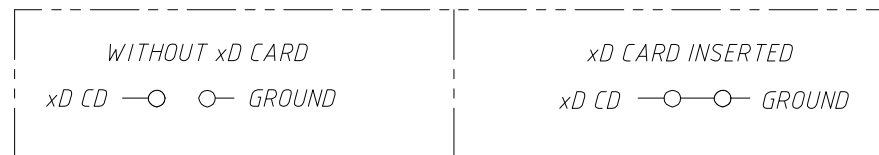
RECOMMENDED PCB LAYOUT  
TOLERANCE: ±0.05mm

-  Solder Area
-  Pattern Prohibited Area
-  Break Open Area

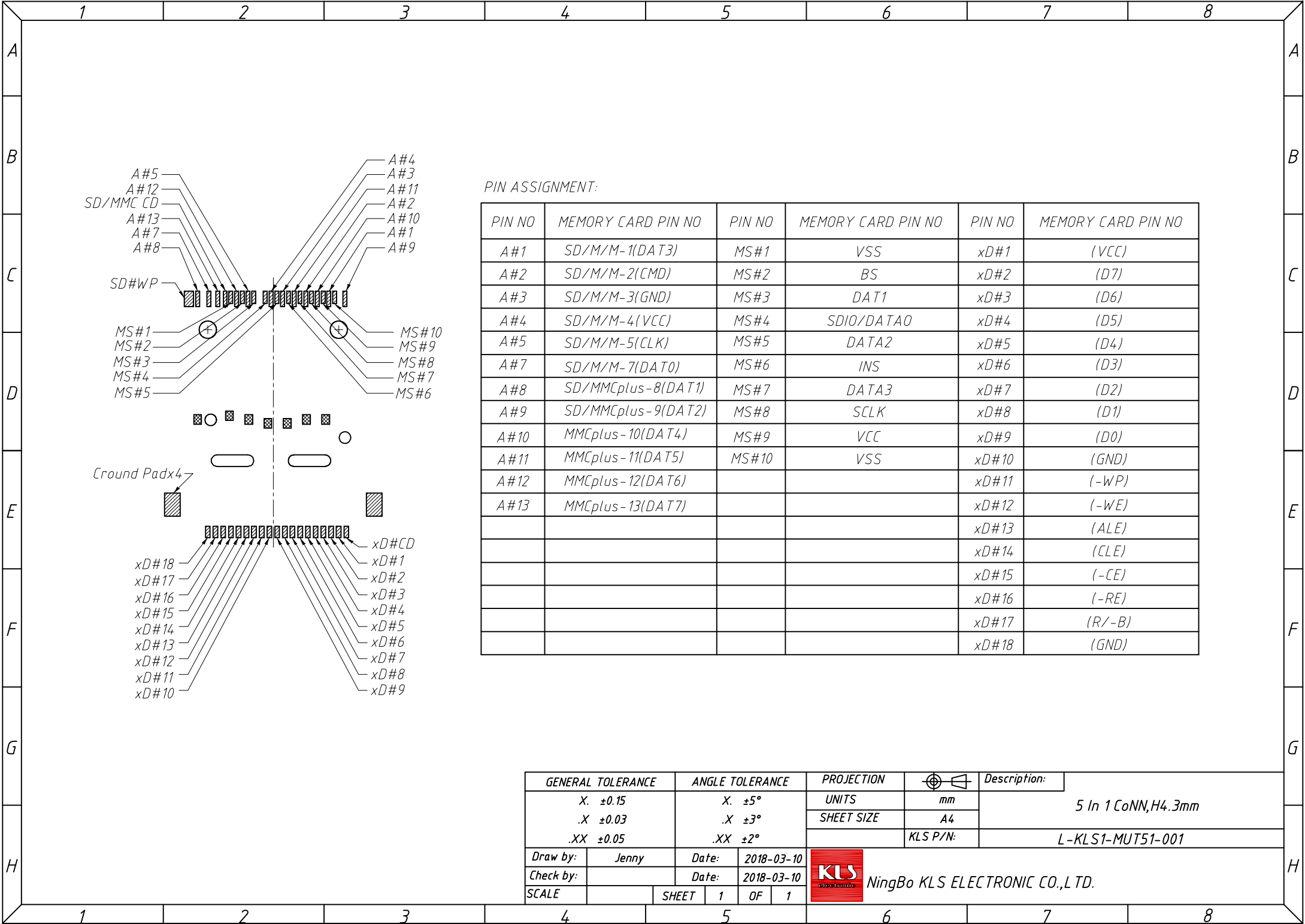
SD CIRCUIT



xD CIRCUIT



GENERAL TOLERANCE		ANGLE TOLERANCE		PROJECTION	Description:	
.X	±0.15	.X	±5°	UNITS	5 In 1 CoNN, H4.3mm L-KLS1-MUT51-001	
.X	±0.03	.X	±3°	SHEET SIZE		A4
.XX	±0.05	.XX	±2°	KLS P/N:		
Draw by:	Jenny	Date:	2018-03-10	 NingBo KLS ELECTRONIC CO.,LTD.		
Check by:		Date:	2018-03-10			
SCALE		SHEET	1 OF 1			



PIN ASSIGNMENT:

PIN NO	MEMORY CARD PIN NO	PIN NO	MEMORY CARD PIN NO	PIN NO	MEMORY CARD PIN NO
A#1	SD/M/M-1(DAT3)	MS#1	VSS	xD#1	(VCC)
A#2	SD/M/M-2(CMD)	MS#2	BS	xD#2	(D7)
A#3	SD/M/M-3(GND)	MS#3	DAT1	xD#3	(D6)
A#4	SD/M/M-4(VCC)	MS#4	SDIO/DATA0	xD#4	(D5)
A#5	SD/M/M-5(CLK)	MS#5	DATA2	xD#5	(D4)
A#7	SD/M/M-7(DAT0)	MS#6	INS	xD#6	(D3)
A#8	SD/MMCplus-8(DAT1)	MS#7	DATA3	xD#7	(D2)
A#9	SD/MMCplus-9(DAT2)	MS#8	SCLK	xD#8	(D1)
A#10	MMCplus-10(DAT4)	MS#9	VCC	xD#9	(D0)
A#11	MMCplus-11(DAT5)	MS#10	VSS	xD#10	(GND)
A#13	MMCplus-13(DAT7)			xD#11	(-WP)
				xD#12	(-WE)
				xD#13	(ALE)
				xD#14	(CLE)
				xD#15	(-CE)
				xD#16	(-RE)
				xD#17	(R/-B)
				xD#18	(GND)

GENERAL TOLERANCE		ANGLE TOLERANCE		PROJECTION	Description: 5 In 1 CoNN,H4.3mm L-KLS1-MUT51-001
X. ±0.15		X. ±5°		UNITS	
.X ±0.03		.X ±3°		SHEET SIZE	
.XX ±0.05		.XX ±2°		KLS P/N:	
Draw by:	Jenny	Date:	2018-03-10	NingBo KLS ELECTRONIC CO.,L TD.	
Check by:		Date:	2018-03-10		
SCALE		SHEET	1 OF 1		