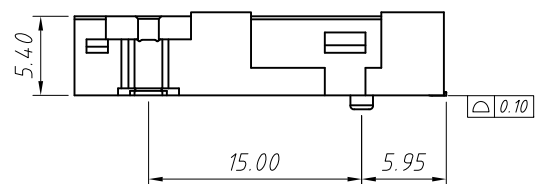
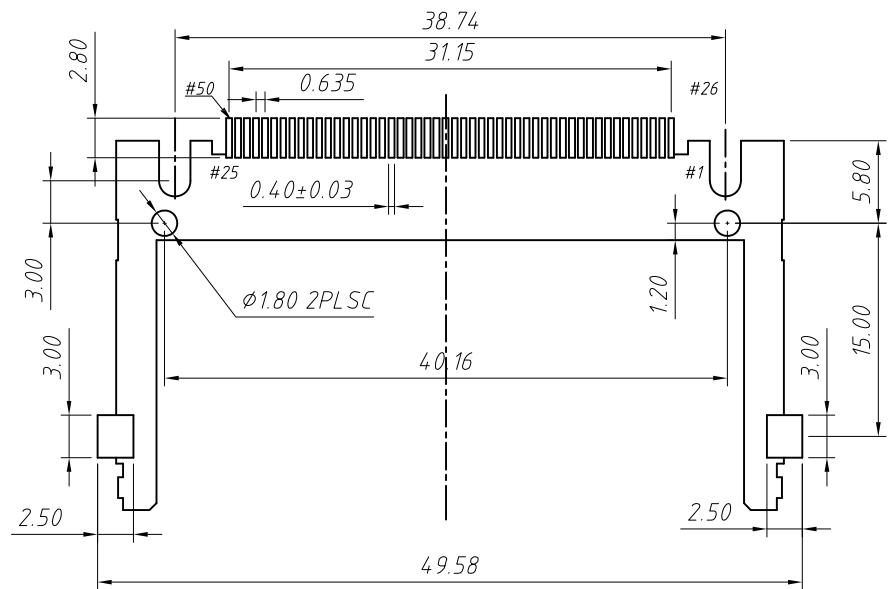


Recommended PCB Layout (Top Side)



Material:
Housing: LCP, UL 94 V-0.
Electrical:
Current Rating: 0.5A AC, DC.
Temperature Range: -20°C ~ +60°C.
Contact Resistance: 40mΩ Max.
Insulation Resistance: 1000MΩ Min.
Withstanding Voltage: 500V AC/minute

GENERAL TOLERANCE		ANGLE TOLERANCE		PROJECTION	Description:	
.X	±0.15	.X	±5°	UNITS	CF CARD CONN, L26mm, H5.4mm	
.X	±0.03	.X	±3°	SHEET SIZE		A4
.XX	±0.05	.XX	±2°	KLS P/N:		L-KLS1-CF-002-L26.9-S40.16-A
Draw by:	Jenny	Date:	2018-03-10		NingBo KLS ELECTRONIC CO., L TD.	
Check by:		Date:	2018-03-10			
SCALE		SHEET	1 OF 1			